

Functional Characteristics 電氣特性		
Testing current 測試電流	Blow time limit 熔斷時間	
	Min 最小	Max 最大
100%	4 hour (小時)	-
200%	-	5 sec (秒)

Safety Approvals (安全認証)

250mA – 7A are UL listed and CSA certified at 125V, UL listed at 250V. 10A is UL recognized and CSA component accepted at 125V.

Marking (印字)

“SUN” and current rating are printed on the fuse body with black ink.

Material (材料)

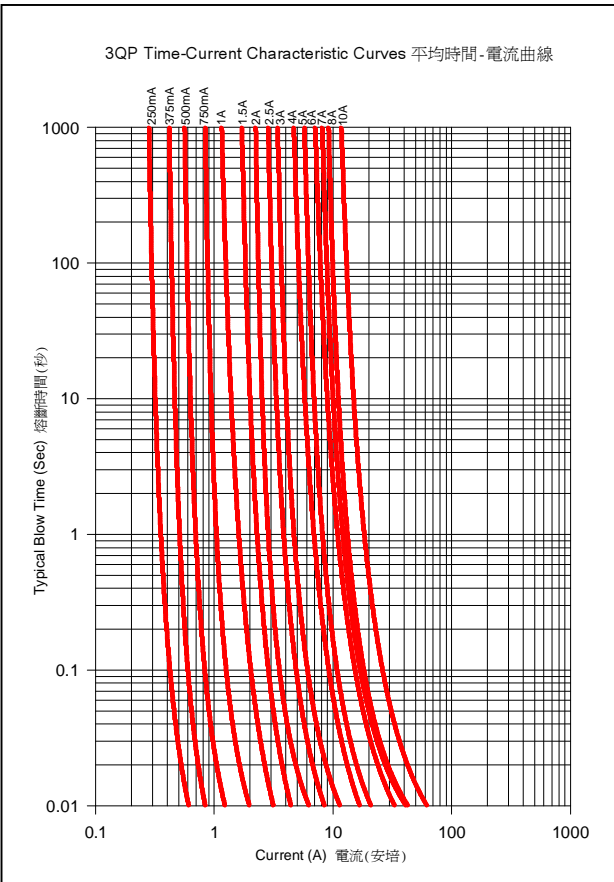
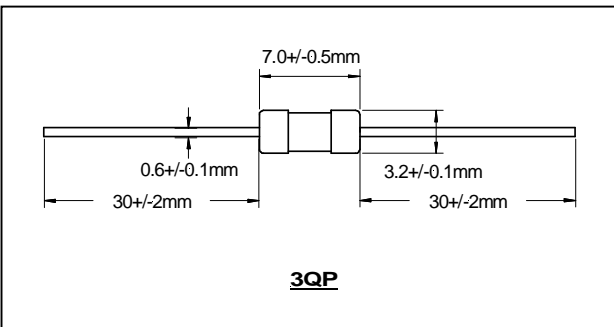
Fuse body – ceramic tube
End cap – nickel plated brass
Lead wire – tin plated copper

Packing (包裝)

Bulk pack of 1000pcs per box or Taped & Reeled of 2500pcs per reel (EIA-296, 5mm pitch, 52.4mm inside tape spacing).

RoHS

3QP is RoHS compliant (EU Directive 2002/95/EC). The high temperature solder used in it has lead content over 85% and is exempted by the EU Directive.



Reference Information 參考資料

Current Rating 額定電流 (A)	Voltage Rating 額定電壓 (V)	Avg Cold Resistance 平均電阻 (ohm)	Avg V - drop 平均電壓降 (mV)	Avg Power Dissipation 平均消耗功率 (W)	Average I ² t value 熔化熱能 (A ² sec)
0.250	125/250	1.460	810	0.20	0.004
0.375	125/250	0.860	950	0.36	0.007
0.500	125/250	0.600	1040	0.52	0.015
0.750	125/250	0.164	156	0.12	0.054
1.0	125/250	0.118	150	0.15	0.105
1.5	125/250	0.072	140	0.21	0.28
2.0	125/250	0.047	126	0.25	0.56
2.5	125/250	0.035	115	0.29	0.90
3.0	125/250	0.026	102	0.30	1.40
4	125/250	0.019	98	0.39	3.66
5	125/250	0.015	94	0.47	5.12
6.0	125/250	0.012	88	0.53	7.70
7.0	125/250	0.009	78	0.55	11.8
8	125/250	0.008	76	0.61	16.2
10	125	0.006	72	0.72	31.1

Note (備注):

1. The Voltage Drop values are measured at 100% rated current.
2. The Power Dissipation values are measured after 1 hour of testing at 100% rated current.
3. The above figures are typical values for reference only and should not be used as acceptance criteria.
4. Please consult factory for availability of other ratings.

Specifications subject to change without notice