

SPECIFICATIONS
 Current Rating: 7A AC,DC
 Voltage Rating: 250V AC,DC
 Temperature Range: -25°C ~ +85°C
 Contact Resistance: 10mΩ Max
 Insulation Resistance: 1000MΩ Min
 Withstanding Voltage: 1500V AC/minute
 Material: Nylon 66,UL94V-2
 Color: Natural(Translucent)

Ordering Information:

- A3960H-XP-*
 1-Part No.
 2-Style:
 1-Type 1
 2-Type 2

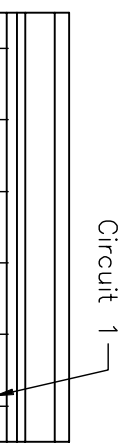
Ordering Information & Dimensions

PART NO.	Dimensions	
	A	B
A3960H-02P	3.96	8.43
A3960H-03P	7.92	12.39
A3960H-04P	11.88	16.35
A3960H-05P	15.84	20.31
A3960H-06P	19.80	24.27
A3960H-07P	23.76	28.23
A3960H-08P	27.72	32.19
A3960H-09P	31.68	36.15
A3960H-10P	35.64	40.11
A3960H-11P	39.60	44.07
A3960H-12P	43.56	48.03
A3960H-13P	47.52	51.99
A3960H-14P	51.48	55.95
A3960H-15P	55.44	59.91
A3960H-16P	59.40	63.87
A3960H-17P	63.36	67.83
A3960H-18P	67.32	71.79
A3960H-19P	71.28	75.75
A3960H-20P	75.24	79.71

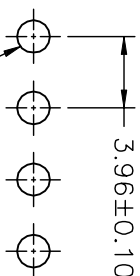
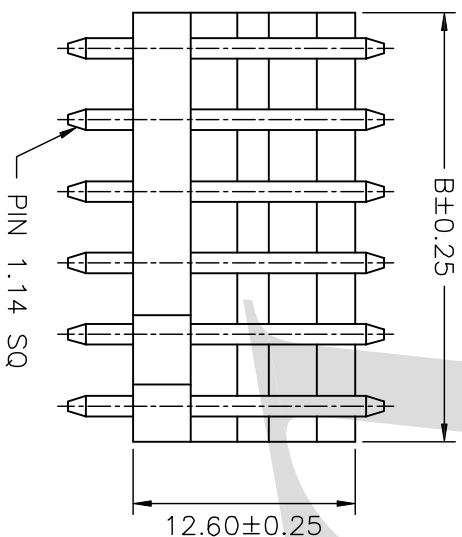
日期 DATE	旧版次 OLD REV	新版次 NEW REV	变更内容 DESCRIPTION	审核 CHK	核准 APPD	角法 PROJECT	核准 APPD	审核 CHK	绘图 DR	日期 DATA	料号 PART NO	品名 TITLE	单位 UNIT	比例 SCALE	图号 NUMBER	版次 REV
2011/06/30	A	B	修改图框格式			一般公差 GENERAL TOLERANCE .X ±0.3 .XX ±0.2 .XXX ±0.1	Rodney	兰雄	刘小菊	2010/11/10	A3960H-XP	3.96mm Crimp Style connectors	MM	1/1	LDZY-8105	B

—般公差
 GENERAL TOLERANCE
 .X ±0.3
 .XX ±0.2
 .XXX ±0.1

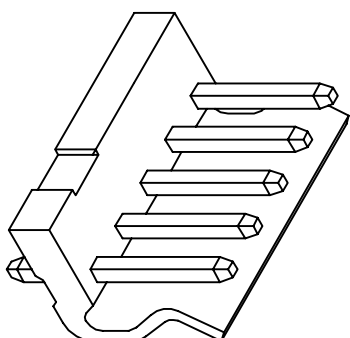
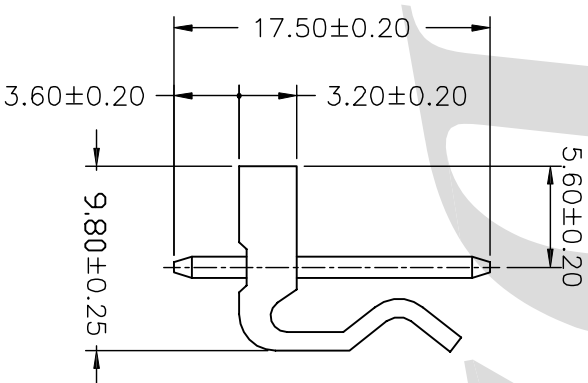
料号 PART NO
 A3960H-XP
 品名 TITLE
 3.96mm Crimp Style connectors
 单位 UNIT
 MM
 比例 SCALE
 1/1
 图号 NUMBER
 LDZY-8105
 版次 REV
 B



3.96±0.10
A±0.20



P.C.B LAYOUT



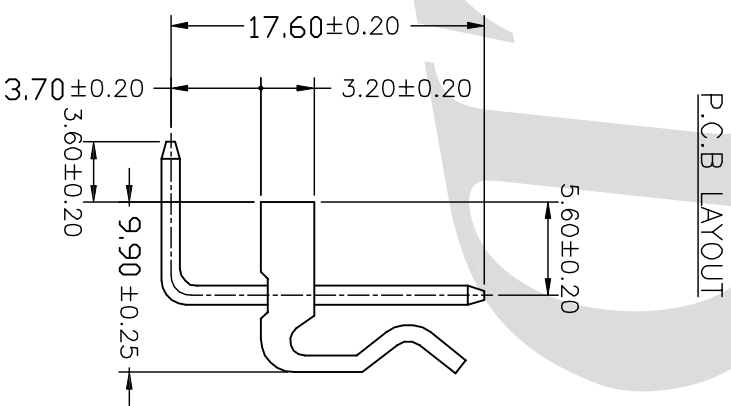
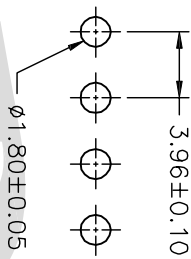
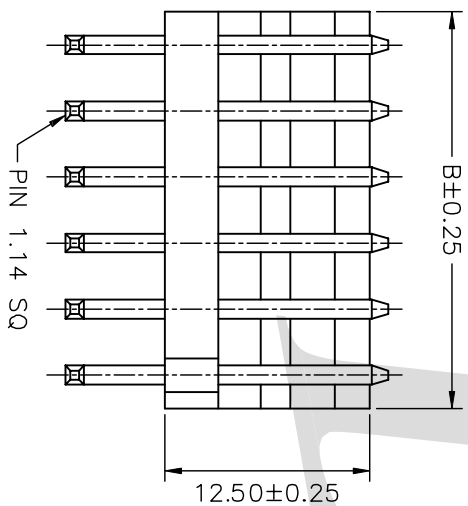
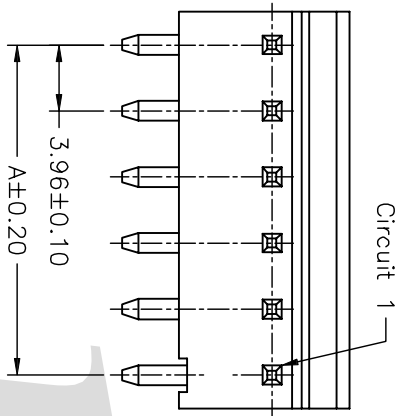
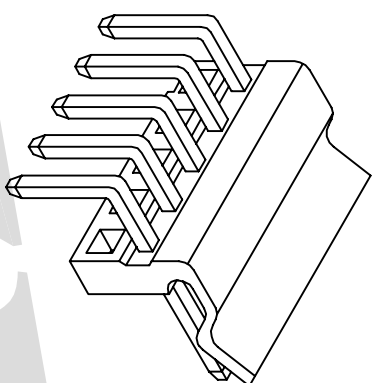
SPECIFICATIONS
 Current Rating: 7A AC,DC
 Voltage Rating: 250V AC,DC
 Temperature Range: -25°C ~ +85°C
 Contact Resistance: 10mΩ Max
 Insulation Resistance: 1000MΩ Min
 Withstanding Voltage: 1500V AC/minute
 Pin Material: Brass/Tin-plated
 Material: Nylon 66,UL94V-2
 Color: Natural(Translucent)

Ordering Information & Dimensions

PART NO.	Dimensions	
	A	B
A3960WV-02P	3.96	7.92
A3960WV-03P	7.92	11.88
A3960WV-04P	11.88	15.84
A3960WV-05P	15.84	19.80
A3960WV-06P	19.80	23.76
A3960WV-07P	23.76	27.72
A3960WV-08P	27.72	31.68
A3960WV-09P	31.68	35.64
A3960WV-10P	35.64	39.60
A3960WV-11P	39.60	43.56
A3960WV-12P	43.56	47.52
A3960WV-13P	47.52	51.48
A3960WV-14P	51.48	55.44
A3960WV-15P	55.44	59.40
A3960WV-16P	59.40	63.36
A3960WV-17P	63.36	67.32
A3960WV-18P	67.32	71.28
A3960WV-19P	71.28	75.24
A3960WV-20P	75.24	79.20

日期 DATE	旧版次 OLD REV	新版次 NEW REV	变更内容 DESCRIPTION	审核 CHK	核准 APPD	角法 PROJECT	一般公差 GENERAL TOLERANCE	核准 APPD	审核 CHK	绘图 DR	日期 DATA	料号 PART NO	品名 TITLE	单位 UNIT	比例 SCALE	图号 NUMBER	版次 REV
2011/06/30	A	B	修改图框格式			有法	.X ±0.3 .XX ±0.2 .XXX ±0.1	Rodney	兰雄	刘小菊	2010/11/10	A3960WV-XP	3.96mm Crimp Style connectors	MM	1/1	LDZY-8105	B

LDZY® 东莞市蓝雁电子有限公司
 DongGuan LDZY Electronics CO.,LTD.

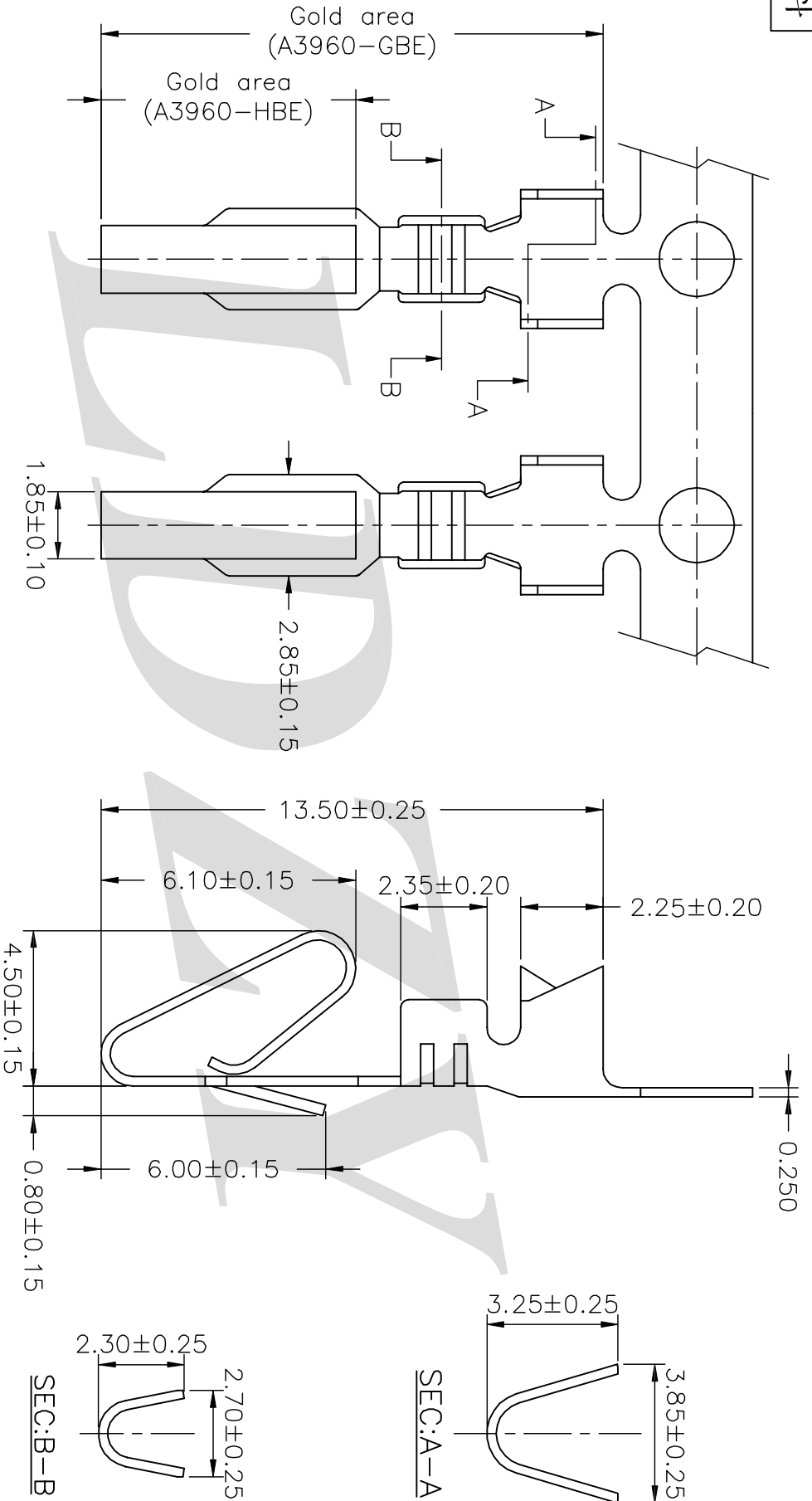


SPECIFICATIONS
 Current Rating: 7A AC,DC
 Voltage Rating: 250V AC,DC
 Temperature Range: -25°C ~ +85°C
 Contact Resistance: 10mΩ Max
 Insulation Resistance: 1000MΩ Min
 Withstanding Voltage: 1500V AC/minute
 Pin Material: Brass/Tin-plated
 Material: Nylon 66,UL94V-2
 Color: Natural(Translucent)

Ordering Information & Dimensions

PART NO.	Dimensions	
	A	B
A3960WR-02P	3.96	7.92
A3960WR-03P	7.92	11.88
A3960WR-04P	11.88	15.84
A3960WR-05P	15.84	19.80
A3960WR-06P	19.80	23.76
A3960WR-07P	23.76	27.72
A3960WR-08P	27.72	31.68
A3960WR-09P	31.68	35.64
A3960WR-10P	35.64	39.60
A3960WR-11P	39.60	43.56
A3960WR-12P	43.56	47.52
A3960WR-13P	47.52	51.48
A3960WR-14P	51.48	55.44
A3960WR-15P	55.44	59.40
A3960WR-16P	59.40	63.36
A3960WR-17P	63.36	67.32
A3960WR-18P	67.32	71.28
A3960WR-19P	71.28	75.24
A3960WR-20P	75.24	79.20

日期 DATE	旧版次 OLD REV	新版次 NEW REV	变更内容 DESCRIPTION	审核 CHK	核准 APPD	角法 PROJECT	一般公差 GENERAL TOLERANCE	核准 APPD	审核 CHK	绘图 DR	日期 DATA	料号 PART NO	品名 TITLE	单位 UNIT	比例 SCALE	图号 NUMBER	版次 REV
2011/06/30	A	B	修改图框格式			有法 PROJECT	.X ±0.3 .XX ±0.2 .XXX ±0.1	Rodney	兰雄	刘小菊	2010/11/10	A3960WR-XP	3.96mm Crimp Style connectors	MM	1/1	LDZY-8105	B



Ordering Information & Specifications

Part No	Wire Range	Insulation O.D.	Material	Finish	Qty/roll
A3960-TBE	AWG#18-#24	2.80mm(max)	Brass	Tin-plated	5,000pcs
A3960-GBE	AWG#18-#24	2.80mm(max)	Brass	Gold-flash	5,000pcs
A3960-HBE-G4	AWG#18-#24	2.80mm(max)	Brass	Gold-plated 10u"	5,000pcs

Note:E-Stamping before Tin-plated or Gold-flash

日期 DATE		旧版次 OLD REV	新版次 NEW REV	变更内容 DESCRIPTION	审核 CHK	核准 APPD	一般公差 GENERAL TOLERANCE .X ±0.3 .XX ±0.2 .XXX ±0.1	角法 PROJECT	料号 PART NO A3960-XX	品名 TITLE 3.96mm Crimp Style connectors	单位 UNIT MM	比例 SCALE 1/1	图号 NUMBER LDZY-8105	版次 REV B
2011/06/30		A	B	修改图框格式					东莞市蓝雁电子有限公司 DongGuan LDZY Electronics CO.,LTD.	核准 APPD	审核 CHK	绘图 DR	日期 DATA	
									Rodney	兰雄	刘小菊	2010/11/10		