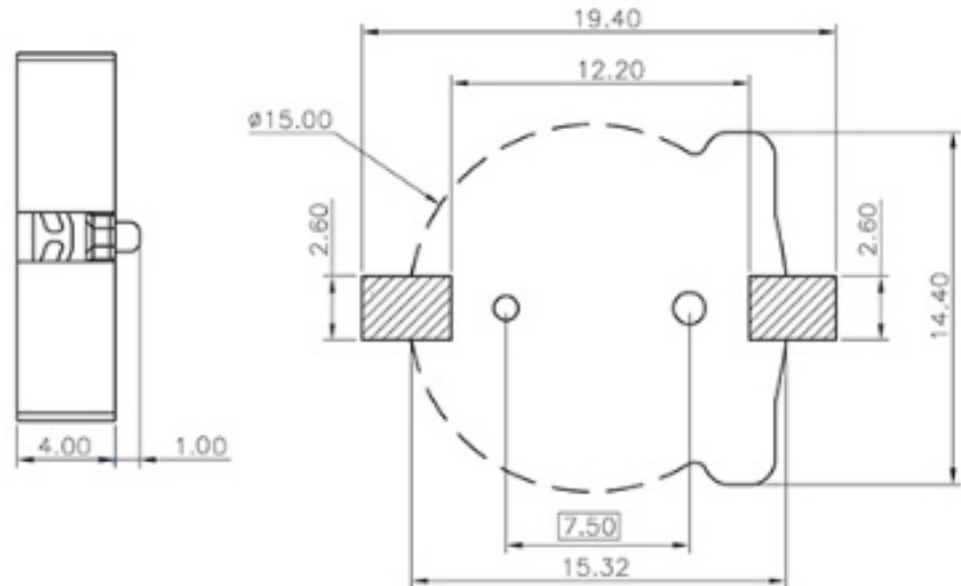
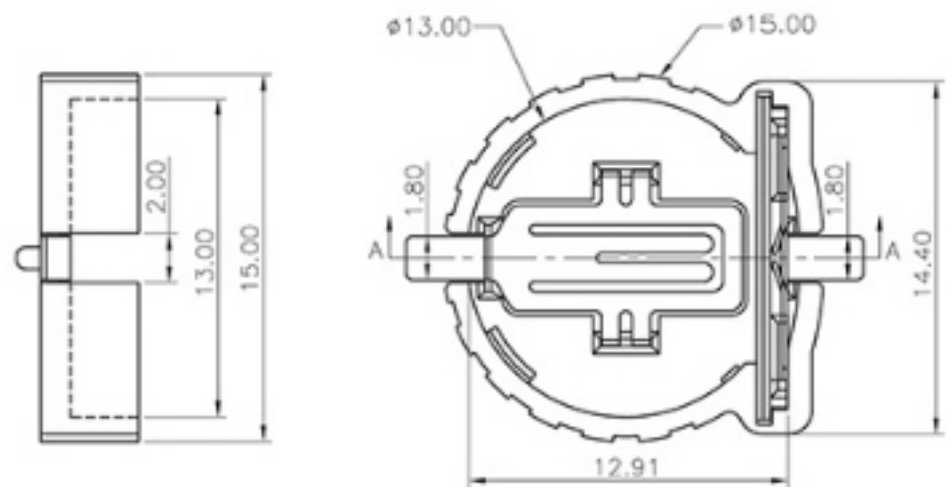


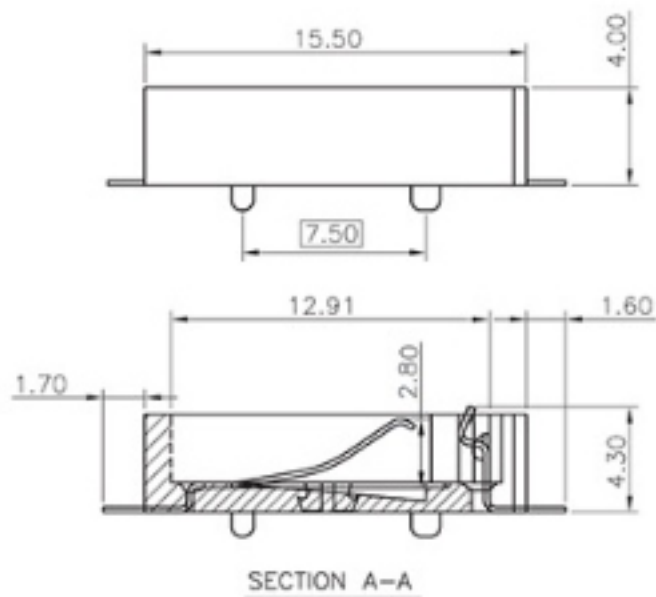
REV.	ECN NO. / DESCRIPTION	DATE
1	N040040	02/10/04
2	N050146	5/20/05




RECOMMENDED PCB LAYOUT

NOTES:

- 1.DIMENSIONS ARE IN MILLIMETERS
- 2.MATERIAL:
PLASTIC PART:PPS WITH 30% GLASS FIBER,
UL94V-0,BROWN;
CONTACT:COPPER ALLOY.
- 3.FINISH:
CONTACT:GOLD PLATED ALL OVER THE FACE



SECTION A-A

GENERAL TOLERANCES UNLESS SPECIFIED		PART NO.	
X ±0.35	X° ±3°	B6810AP2L	
XX ±0.25	X° ±2°	APPROVE	TITLE
XXX ±0.15	XX° ±1°		BATTERY HOLDER FOR CR1220
CUSTOMER DRAWING		CHECK	DWG NO.
			B68QCL001
SIZE	UNITS	DRAW	
A4	MM[INCH]	LITING 5/2005	
			1 / 1
			SCALE
			3:1
			REV
			2