

IPS-CE – WALL PLUG



DESCRIPTION / APPLICATION

Industrial plugs and sockets meet the international IEC 60309 Standard for the industrial sector and are available as mobile or for panel or wall mounting.

MAIN TECHNICAL DATA

Electrical Features	Standard		IEC60309-1, IEC60309-2
	Rated current	A	16, 32, 63, 125
	Poles		2P+E, 3P+E, 3P+N+E
	AC Volts	V	220-250V, 380-415V, 220-380V/240-415V
	Rated frequency	Hz	50/60
Mechanical Features	Degree of protection		IP44 or IP67
Installation	Ambient temperature	°C	-25 °C / +40 °C
	Terminal connection type		Screw terminals
	Mounting		Wall mounting

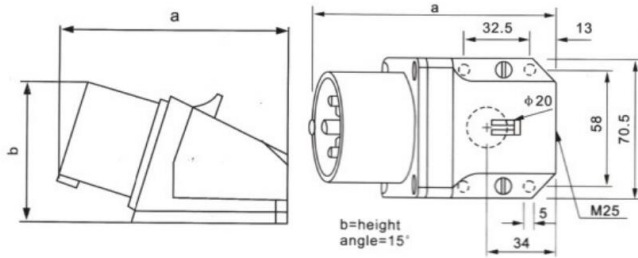
PART NUMBER EXAMPLE

BASE NUMBER	PRODUCT TYPE	CURRENT	POLES	PROTECTION
IPS-CE	5	1	3	2
EXAMPLE	IPS-CE-513			
	IPS-CE-5132			

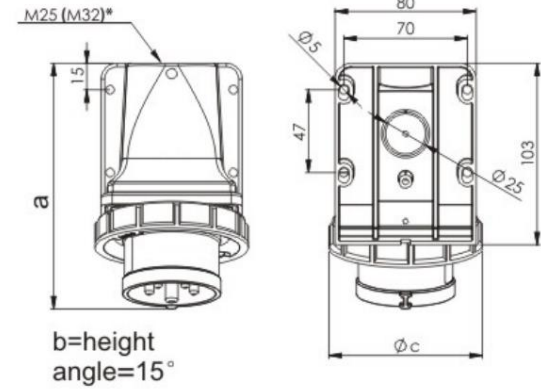
(Blank) = IP44

2 = IP67

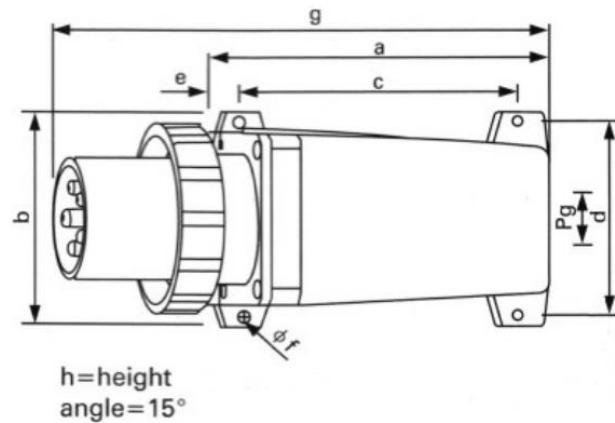
DIMENSIONS



Part Number	513	514	515	523	524	525
Ampere	16 A			32 A		
Poles	3	4	5	3	4	5
a	121	121	123	131	131	132
b	76	76	79	83	83	86
Connection type	Screw terminal					
Wire flexible [mm ²]	1-2.5			2.5-6		



Part Number	5132	5142	5152	5232	5242	5252
Ampere	16 A			32 A		
Poles	3	4	5	3	4	5
a	136	138	140	150	153	152
b	99	94	100	104	104	102
c	71	79	87	93	93	102
M	25	25	25	25	25	25
Connection type	Screw terminal					
Wire flexible [mm ²]	1-2.5			2.5-6		



Part Number	5332	5342	5352	5432	5442	5452
Ampere	63 A			125 A		
Poles	3	4	5	3	4	5
a	193	193	193	220	220	220
b	122	122	122	140	140	140
c	157	157	157	185	185	185
d	109	109	109	130	130	130
e	19	19	19	17	17	17
f	6	6	6	8	8	8
g	288	288	288	330	330	330
h	127	127	127	140	140	140
PG	29	29	29	36	36	36
Connection type	Frame contact					
Wire flexible [mm ²]	6-16			16-50		