



CONQUER Fuse Clips

CONQUER Fuse Clips Are Professional Designed For Varies Of Circuits And Fusing Applications. These Clips Are Available In Several Finishing's And Base Materials Which Meet Specific Current, Strength, And Conductivity Requirements.

Specification Guide Codes:

A= Item Number

B= Metal Material

C= Material Thickness (mm)

D= Suitable Rated Current

Option Finish Selecting:

N= Nickel Plating

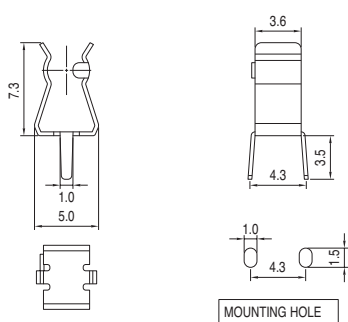
S= Silver Plating

(To Order Add **N** or **S** e.g. **CQ-205B N**)

P.C. BOARD MOUNT FUSE CLIPS FOR 3.6 mm DIAMETER FUSES



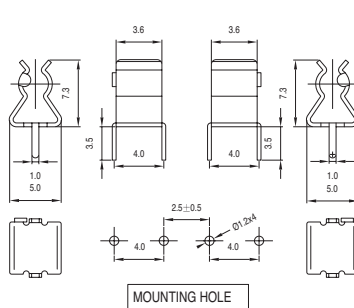
CQ-301A



B: Spring Brass
C: 0.3t
D: 6.3A
Bright Tin Plated
Ear Type



CQ-301B

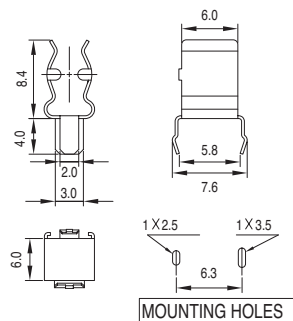


B: Spring Brass
C: 0.4t
D: 10A
Bright Tin Plated
Ear Type

P.C. BOARD MOUNT FUSE CLIPS FOR 5 mm DIAMETER FUSES



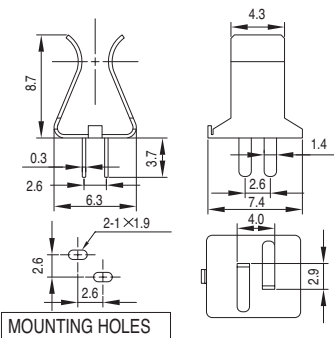
CQ-203B



B: Phosphor Bronze
C: 0.4t
D: 10A
Bright Tin Plated
Ear Type



CQ-203D



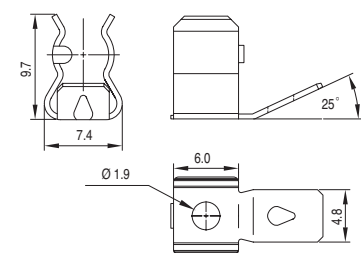
B: Spring Brass
C: 0.3t
D: 6.3A
Bright Tin Plated

55

Conquer Electronics Co., Ltd.



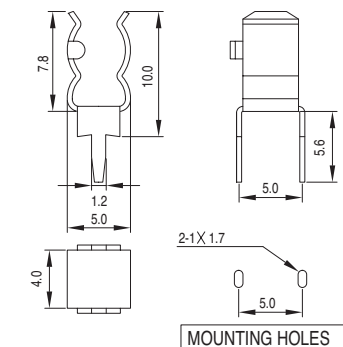
CQ-203E



B: Phosphor Bronze
C: 0.5t
D: 15A
Bright Tin Plated
Ear Type



CQ-203H



B: Spring Brass
C: 0.4t
D: 6.3A
Bright Tin Plated

Conquer Electronics Co., LTD.

No. 15, Lane 120, Li Te Rd., Peitou 11268, Taipei, Taiwan TEL: 886-2-2895-8895 (Rep.) FAX: 886-2-2895-8880,2895-8924

E-mail : conqfuse@ms62.hinet.net, conqfuse@tp.silkera.net Homepage: http://www.conquer.com.tw

Specification Guide Codes:

A= Item Number

B= Metal Material

C= Material Thickness (mm)

D= Suitable Rated Current

Beryllium Copper Recommended For Current Higher Than 10A To Order Add " Q " e.g. CQ-203S Q

Option Finish Selecting:

N= Nickel Plating

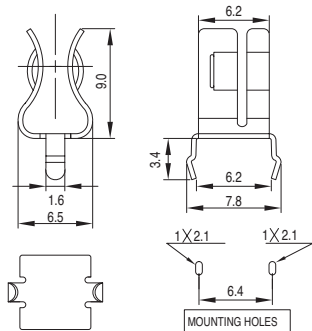
S= Silver Plating

(To Order Add N or S e.g. CQ-205B N)

P.C. BOARD MOUNT FUSE CLIPS FOR 5 mm DIAMETER FUSES



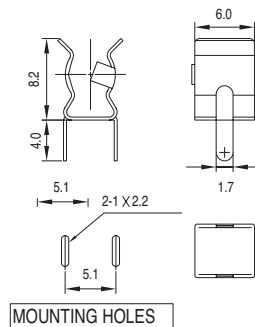
CQ-203K



B: Phosphor Bronze
C: 0.4t
D: 10A
Bright Tin Plated



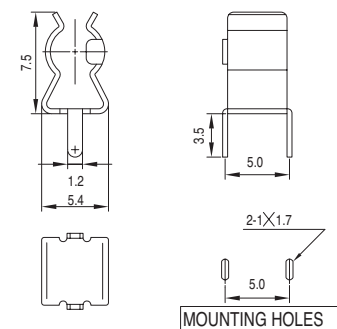
CQ-203LR



B: Phosphor Bronze
C: 0.3t
D: 10A
Bright Tin Plated
Ear Type



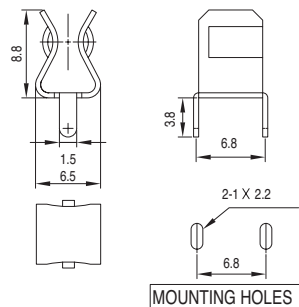
CQ-203P



B: Spring Brass
C: 0.4t
D: 10A
Bright Tin Plated
Ear Type



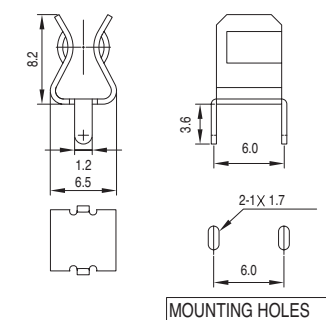
CQ-203S



B: Spring Brass
C: 0.5t
D: 10A
Bright Tin Plated
Ear Type



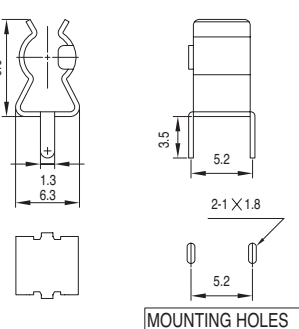
CQ-203SF



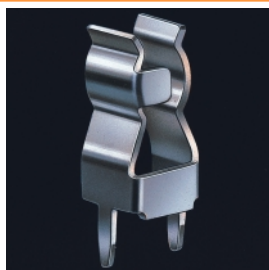
B: Spring Brass
C: 0.4t
D: 10A
Bright Tin Plated
Ear Type



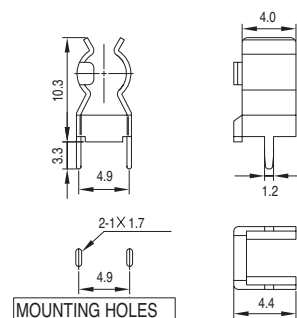
CQ-203SP



B: Spring Brass
C: 0.4t
D: 10A
Bright Tin Plated
Ear Type



CQ-203T

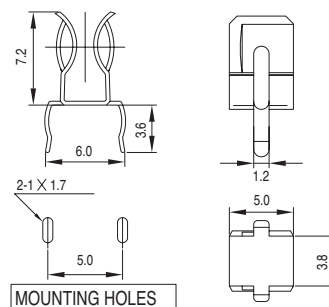


B: Spring Brass
C: 0.4t
D: 10A
Bright Tin Plated
Ear Type



CQ-450

For 4.5 or 5mm Dia. Fuses



B: Phosphor Bronze
C: 0.4t
D: 10A
Bright Tin Plated
Ear Type