

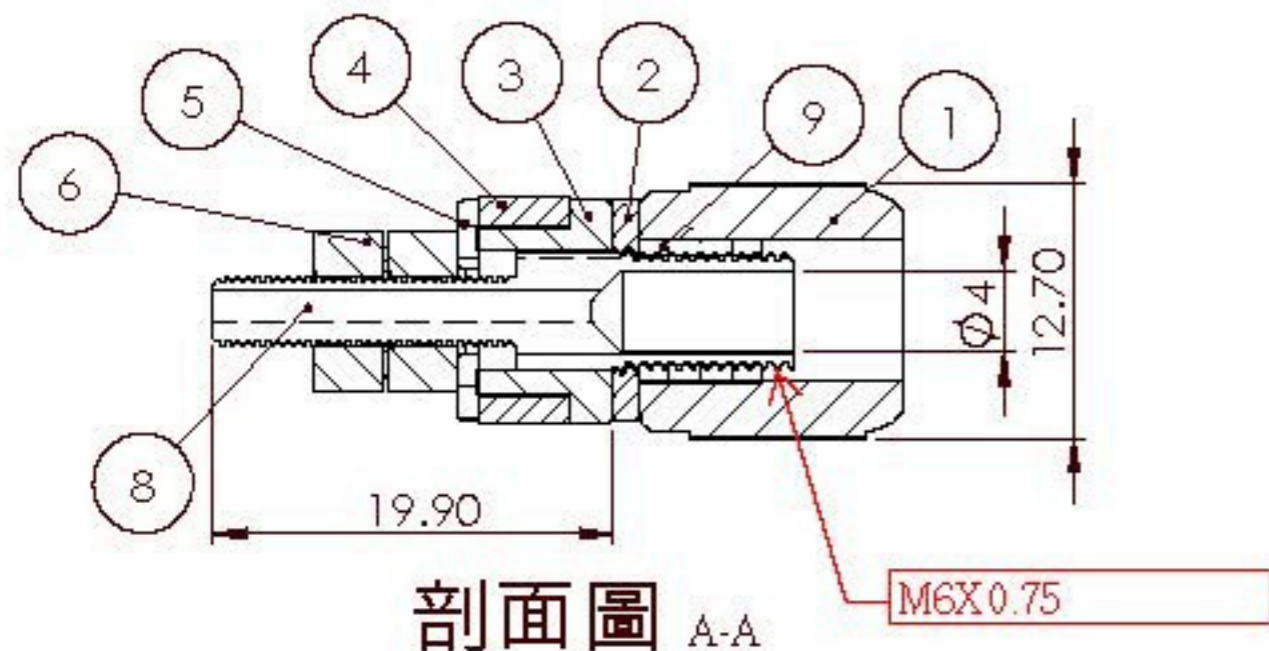
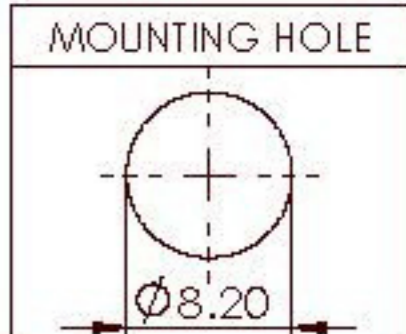
SPECIFICATION:

耐電壓 Withstand voltage: AC 500V 60Hz for 1 minute

絕緣阻抗 Insulation resistance : 100MΩ (min) at 500V DC

接觸阻抗 Contact resistance : 50mΩ max

定格 Rating: 10A 125VAC



COLOR:

RED(RD) /BLACK(BK) /BLUE(BU) /GREEN(GN) /YELLOW(Y)

NO	PART NAME(品名)	MATERIAL(材質)	FINISHED(外觀)	Q'TY
9	KNOB NUT	BRASS(C3604)	BRASSY	1
8	BODY	BRASS(C3604)	NICKEL	1
7	SOLDER CONTACT	BRASS(C2680)	NICKEL	1
6	NUT	STEEL 1008	NICKEL	2
5	WASHER	STEEL	NICKEL	1
4	BOTTOM	ABS(PA757)	RD紅/BK黑/BU藍/GN綠/YE黃	1
3	TOP	ABS(PA-757)	RD紅/BK黑/BU藍/GN綠/YE黃	1
2	WASHER W/Thread	BRASS(C2680)	NICKEL	1
1	KNOBS	ABS (PA-757)	RD紅/BK黑/BU藍/GN綠/YE黃	1

表面處理	比例尺 Scale	繪圖 DRAW BY	圖號
鍍線	2:1	CHUN-TE WANG	WTN-08-1052
版本 VERSION	單位 UNIT	核准 APPROVED BY	日期 DATE
1	mm	YACHAN WANG	2019/8/14

SHALLIN ELECTRONICS CO., LTD.

品號	品名	規格	備註	TOLERANCES
K200A	4MM BINDING POST		No asscessory No Approvals	0.5MM-5MM±0.2MM 5MM-30MM±0.4MM 30MM-120MM±0.6MM 120MM-315MM±1.0MM 315MM-1000MM±1.6MM 1000MM-2000MM±2.4MM