



MANTECH[®]
ELECTRONICS

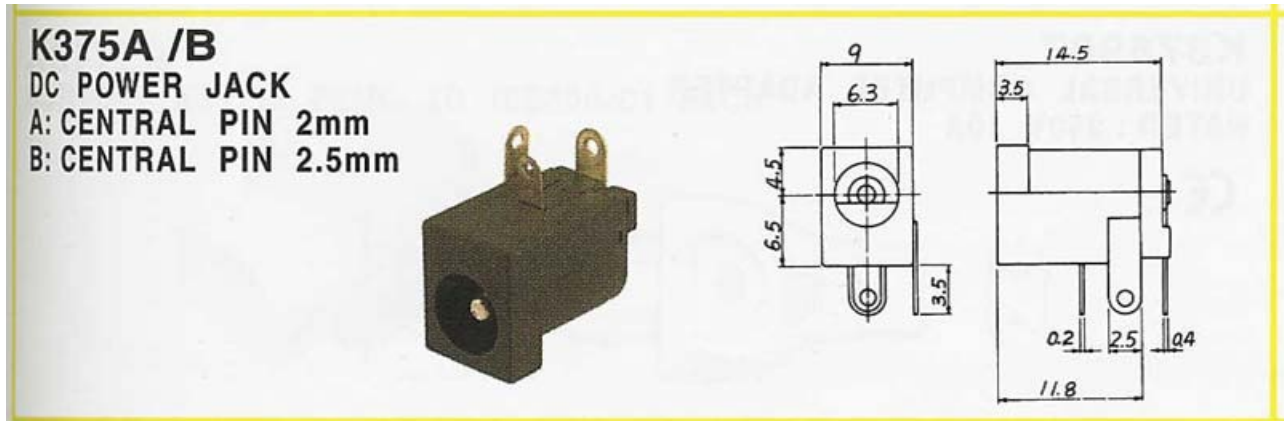
TEL JHB : (011) 493-9307
CAPE : (021) 535-3150
KZN : (031) 309-7686

FAX : (011) 493-9319

sales@mantech.co.za

www.mantech.co.za

International Components Distributor



PO BOX 260455 - EXCOM - 2023 - SOUTH AFRICA

FARNELL **inone**

MOBICON
Electronic Components

BUCK | HICKMAN **inone**

Directors : Manuel Moutinho, Measure Hung (British)