

# SPF TERMINAL

*Crimp style terminals for 2.36mm(.093") diameter pins*



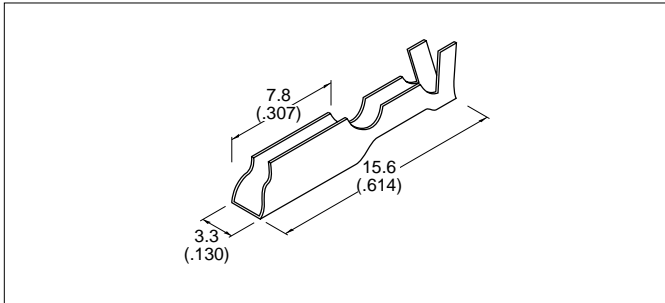
*This terminal is used with 2.36mm (.093") diameter GT pins. The SPF terminal has a large contact area, withstands stress caused by repeated insertions and removals, and provides excellent retaining force. It is best suited for circuit connections that require a large current.*

## Specifications

---

- Current rating: 5A AC, DC
- Temperature range: -25°C to +85°C  
(including temperature rise in applying electrical current)
- Contact resistance: Initial value/3m  $\Omega$  max.  
After environmental testing/5m  $\Omega$  max.
- Applicable wire: AWG #24 to #20
- Applicable PC board thickness: 1.6mm(.063")
- \* Contact JST if Lead-Free product is required.
- \* Refer to "General Instruction and Notice when using Terminals and Connectors" at the end of this catalog.
- \* Contact JST for details.

## Terminal



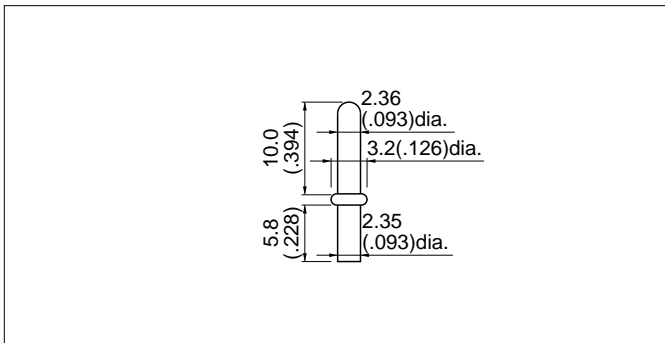
Model No.	Applicable wire			Qty / reel
	mm <sup>2</sup>	AWG#	Insulation O.D. mm(in.)	
<b>SPF-01T-2.5C</b>	0.2 to 0.5	24 to 20	1.6 to 2.7(.063 to .106)	10,000

### Material and Finish

Brass, tin-plated

*Note:*  
Contact JST for details if you require shielded wires or wires other than those listed above, or if two wires must be crimped.

## Pin



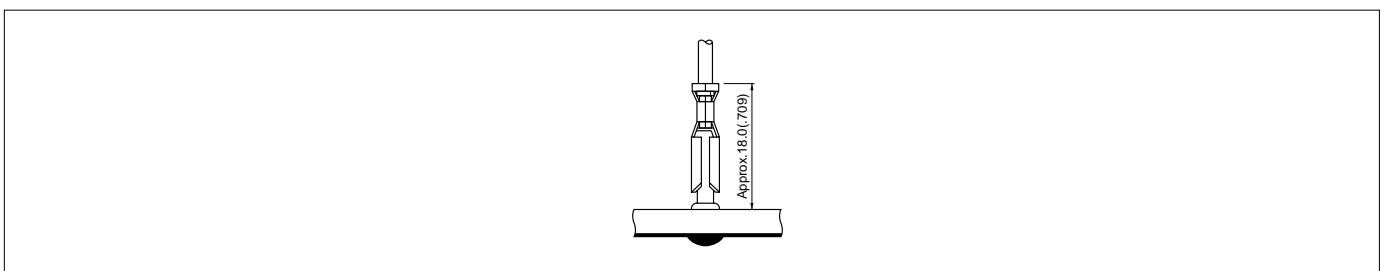
Model No.	Applicable PC board		Qty / box
	Thickness mm(in.)	Hole diameter mm(in.)	
<b>RT-01N-2.3A</b>	1.6(.063)	2.36±0.05(.093±0.002)	5,000

### Material and Finish

Brass, nickel-plated

*Note:*  
Hole dimensions may differ according to the kind of PC board and piercing method.

## Assembly layout



## Applicator for the semi-automatic press AP-K2N

Contact	Crimp applicator MK-L	
	with safety cover	without safety cover
<b>SPF-01T-2.5C</b>	APLMK SPF01-25C	APLNC SPF01-25C