

安装面板尺寸  
PANEL CUT-OUT

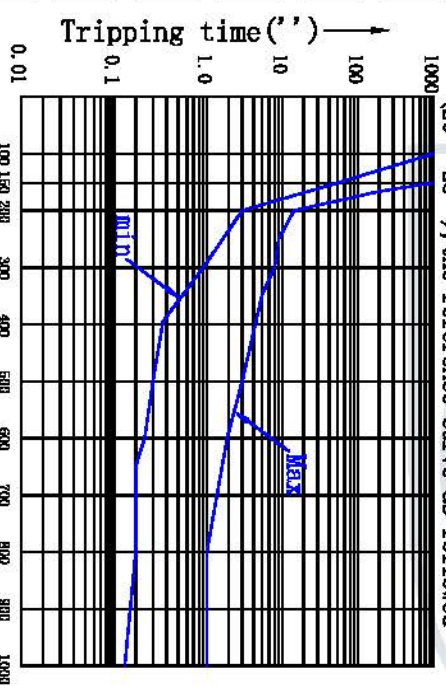
ST-001 Short  
Pins (短脚)



### Specification

- 1) Rating current: min. 5A, max. 20A
- 2) Working voltage: min. 12V, max. 250V
- 3) Double usage of DC and AC
- 4) Application: household appliance and electrical motor
- 5) Current: 5A, 10A, 15A, 20A
- 6) Insulated resistance:  $\geq 100M\Omega$
- 7) Dielectric strength:  $\geq 1500VAC/1min$
- 8) Electrical Life:  $\geq 10,000$  Time

Technique characteristic: the test temperature (20°-25°), the reference curve as followed



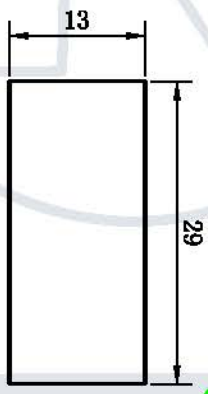
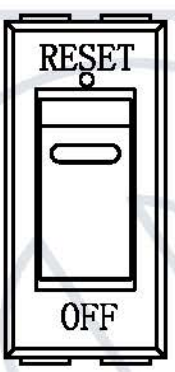
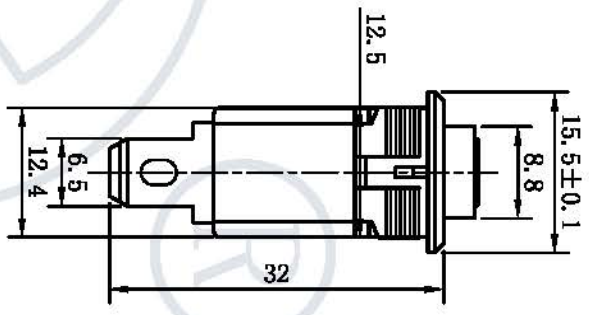
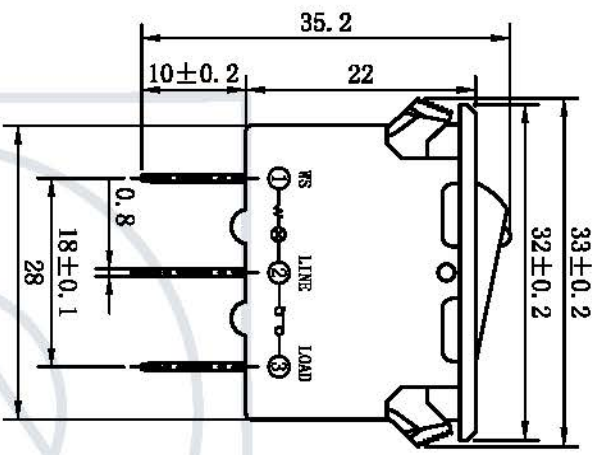
The experiment of short-circuit, ambient temperature: 25°

current overload rating current	PCT	Tripping time
105%		1hour no tripping
150%		7.0-80''
200%		0.8-15''
300%		0.35-5''
400%		0.3-2.8''
500%		0.25-2''
600%		0.2-1''
800%		0.15-0.8''
1000%		

版本	标示	更改描述
产品型号: ST-001	产品料号: ST-001	
产品系列: Rocoer switch	日期: 2013.11.6	审核:
图例比例: 1:1.5	日期: 2013.11.6	日期: 2013.11.6

产品系列: Rocoer switch  
图例比例: 1:1.5  
日期: 2013.11.6  
审核: 日期: 2013.11.6  
日期: 2013.11.6

YUEQING DATER ELECTRON CO., LTD  
乐清市戴尔电子有限公司  
YUEQING DATER ELECTRON CO., LTD



ST-001 Long  
Pins (长脚)

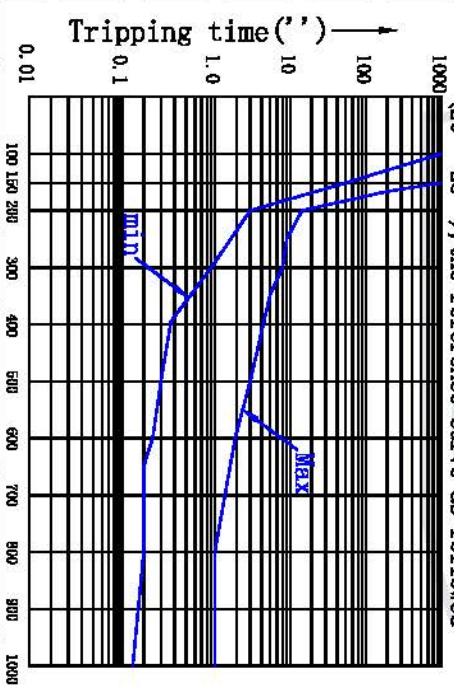
安装面板尺寸  
PANEL CUT-OUT



### Specification

- 1) Rating current: min. 5A, max. 20A
- 2) Working voltage: min. 12V, max. 250V
- 3) Double usage of DC and AC
- 4) Application: household appliance and electrical motor
- 5) Current: 5A, 10A, 15A, 20A
- 6) Insulated resistance:  $\geq 100M\Omega$
- 7) Dielectric strength:  $\geq 1500VAC/1min$
- 8) Electrical Life:  $\geq 10,000$  Time

Technique characteristic: the test temperature (20°-25°), the reference curve as followed



The experiment of short-circuit, ambient temperature: 25°

current overload	PCT	Tripping time
105%		1hour no tripping
150%		1hour tripping
200%		7.0-80''
300%		0.8-15''
400%		0.35-5''
500%		0.3-2.8''
600%		0.25-2''
800%		0.2-1''
1000%		0.15-0.8''

版本	标示	更改描述
产品型号: ST-001	产品料号: ST-001	
产品系列	制图:	审核:
Kocher switch	日期: 2013.11.6	日期: 2013.11.6
图样比例: 1:1	日期: 2013.11.6	日期: 2013.11.6
请注意特别标示, 公差依照以下要求: X = ±0.5, .X = ±0.30, .X = ±0.15		
(第一制法)		

