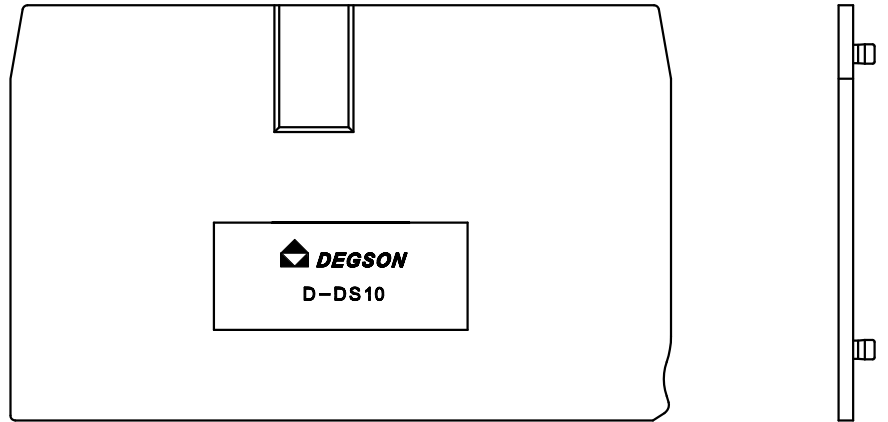
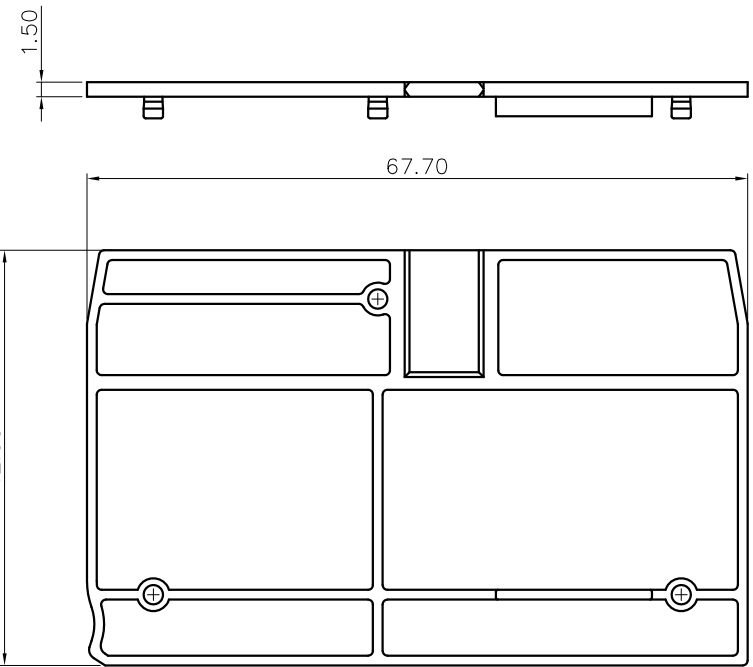


REVISION RECORD				
REV	ECN	DESCRIPTION	DRFT	DATE



D-DS10 - 01P - 1Y - 00A (H)  
 (Series No.) (Poles) (Single Pitch) (Color): 1.(Grey)  
 2.(Blue)  
 3.(Black)  
 4.(Green)  
 5.(Orange)  
 6.(Red)  
 7.(Transparent)  
 8.(Yellow)  
 9.(White)  
 (RoHS)  
 00A-(Standard)

NOTES:  
 1.Dimension shall be interpreted per ASME Y14.5-2009  
 2.Operating temperature: -40°C~+105°C  
 3.Undimensioned tolerances:

Pitch range in mm		Nominal dimension range in mm				Tolerances	
TO	Over	TO	Over	TO	Over	TO	Over
6	6	10	30	60	100	150	150
±0.15	±0.20	±0.30	±0.30	±0.50	±0.70	±1.00	±1.30
							0.1/10
							±2'

4.RoHS Compliance

DETACHED LISTS	PART NO.:	宁波高松电子有限公司 NINGBO DEGSON ELECTRICAL CO., LTD			
	APPD:	NAME: D-DS10-01P-1Y-00A(H)			
	CHKD:	TITLE: CUSTOMER DRAWING			
	DRFT:	DRAWING NO.:		REV	DO
THIRD ANGLE PROJECTION		MM (INCH)	DO NOT SCALE DRAWING	SHEET 1/1	SCALE 1:1