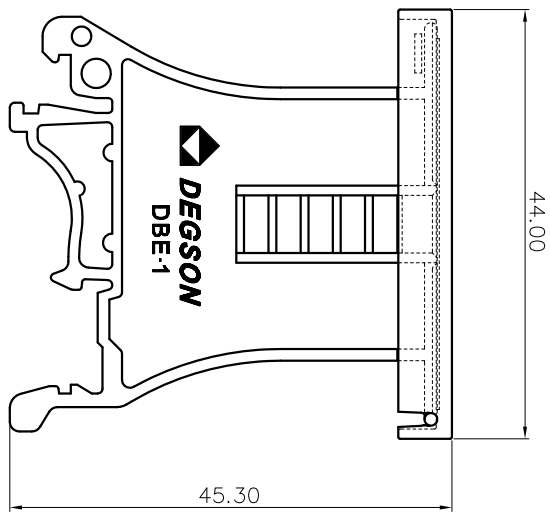


REVISION RECORD				
REV	ECN	DESCRIPTION	DRFT	DATE



DBE-1 - 01P - 1Y - 00A (H)  
 (RoHS)  
 00A - (Standard)  
 (Color) : 1. (Grey)  
 2. (Blue)  
 3. (Black)  
 4. (Green)  
 5. (Orange)  
 6. (Red)  
 7. (Transparent)  
 8. (Yellow)  
 9. (White)

NOTES:

1. Dimension shall be interpreted per ASME Y14.5-2009
2. Operating temperature: -40°C~+105°C
3. Undimensioned tolerances:

Pitch range in mm	Nominal dimension range				Tolerance			
	Over	TO	TO	Over				
6	TO	TO	TO	TO	0.1/10			
10	TO	TO	TO	TO	∠			
24	TO	TO	TO	TO	∠			
30	TO	TO	TO	TO	∠			
60	TO	TO	TO	TO	∠			
100	TO	TO	TO	TO	∠			
150	TO	TO	TO	TO	∠			
±0.15	±0.20	±0.30	±0.30	±0.50	±0.70	±1.00	±1.30	±2°

4. RoHS Compliance

DETACHED LISTS			
PART NO.:	/	NAME:	DEGSON® NINGBO DEGSON ELECTRICAL CO., LTD 宁波高松电子有限公司
APPD:	/	TITLE:	CUSTOMER DRAWING
CHKD:	/	DRAWING NO.:	/
DRFT:	/	REV	DO
THIRD ANGLE PROJECTION		SCALE	1:1
DO NOT SCALE DRAWING		SCALE	1:1

A 8 7 6 5 4 3 2 1