

REVISION RECORD				
REV	ECN	DESCRIPTION	DRFT	DATE

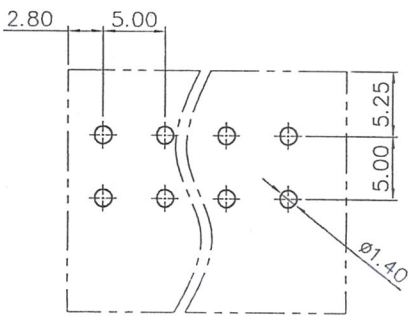
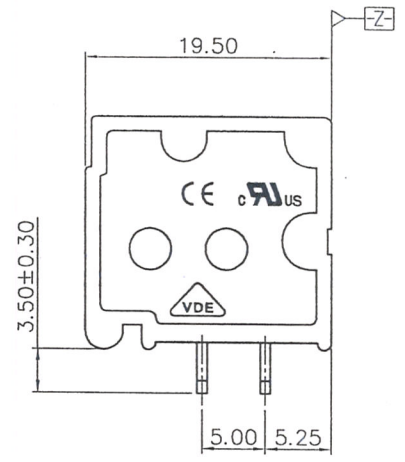
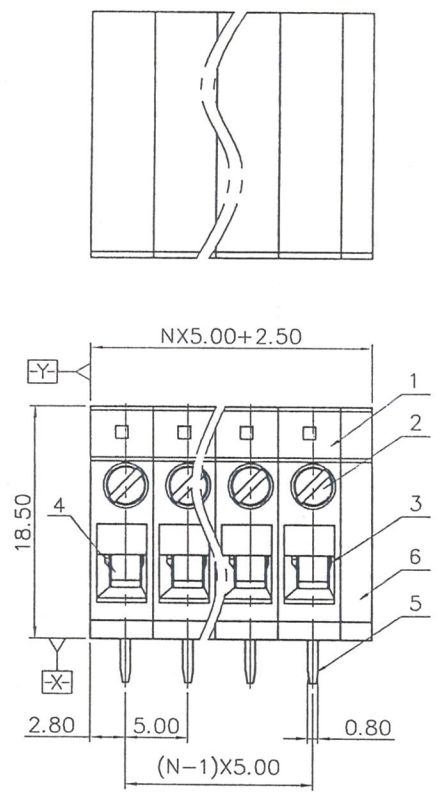
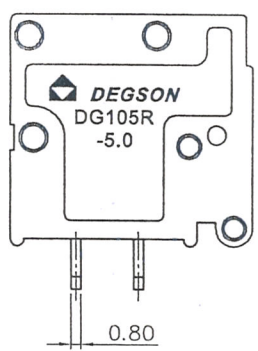
NOTES1:
 UL Standard
 1. Rated voltage/current : 300V / 20A
 2. Torque value : M2.5 , 3.54Lb.in
 3. Wire range : 30~12AWG

IEC Standard
 1. Rated voltage/current : 250V / 24A
 2. Torque value : M2.5 , 0.4N·m
 3. Wire range : 0.5~2.5mm²

NOTES2:
 1. Dimension shall be interpreted per ASME Y14.5-2009
 2. Pitch : 5.0mm, Poles : N=02~XXP
 3. Stripping length : 12~13mm
 4. Withstanding voltage : AC2000V/1Min
 5. Operating temperature: -40°C~+105°C
 6. Undimensioned tolerances:

Pitch Range In mm		Nominal Dimension Range In mm				0.1/10
TO	Over	TO	Over	TO	Over	
6	5 TO 10	24	30 TO 60	100 TO 150	150	<
	±0.15	±0.25	±0.30	±0.30	±0.50	±0.70
					±1.00	±1.30
						±2'

7. RoHS Compliance



DG105R - 5.0 - XXP - 1Y - 00A (H)
 (Series No.) (Pitch) (Poles) (Single Pitch) (Color): 1.(Grey) 2.(Blue) 3.(Black) 4.(Green) 5.(Orange) 6.(Red) 7.(Transparent) 8.(Yellow) 9.(White)

齐策专用
 2017.02.06
 (仅限内部使用, 对外无效)

ITEM	NAME OF PART	MATERIAL	NOTES
6	Cover	PA66	UL94V-0
5	Pin header	Copper alloy	Sn Plated
4	Block	Steel	Zn Plated
3	Cage	Steel	M2.5/Zn Plated
2	Screw	Steel	M2.5/Zn Plated
1	Housing	PA66	UL94V-0

PART NO.: /		宁波高松电子有限公司 NINGBO DEGSON ELECTRICAL CO., LTD	
APPD: Aaron 11/16	NAME: DG105R-5.0-XXP-1Y-00A(H)	TITLE: CUSTOMER DRAWING	
CHKD: Jay.z 11/9-16	DRFT: Yangys 12/28/06	REV	TO
THIRD ANGLE PROJECTION		DRAWING NO.: DG105R-C01	SHEET 1/1
MM (INCH)		DO NOT SCALE DRAWING	SCALE 1:1