

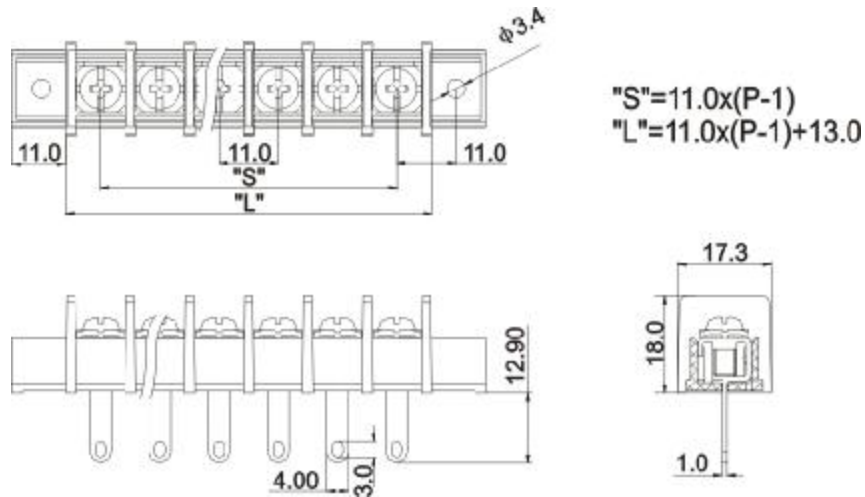


# DEGSON ELECTRONICS CO., LTD.

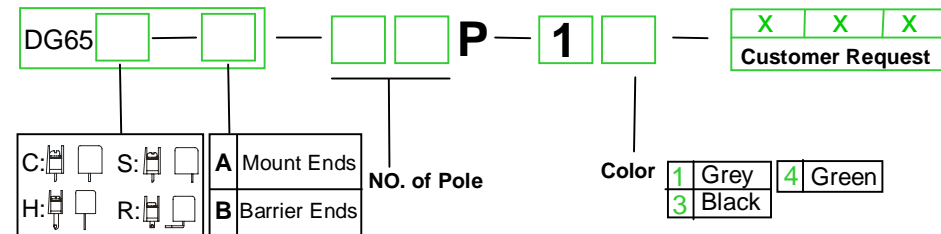
## Product Specification



|                       |                                     |                    |
|-----------------------|-------------------------------------|--------------------|
| <b>Approval</b>       | UL US CE                            |                    |
| <b>Electrical</b>     | <b>UL</b>                           | <b>IEC</b>         |
| Standard              | 300V                                | 450V               |
| Rated voltage         | 20A                                 | 32A                |
| Rated current         | 22-12AWG                            | 4.0mm <sup>2</sup> |
| Wire range            | AC2000V/1Min                        |                    |
| With standing voltage | 500M $\Omega$ /DC500V               |                    |
| Insulation Resistance |                                     |                    |
| <b>Mechanical</b>     |                                     |                    |
| Max. Torque Value     | 1.2N.m 10.6Lb.in                    |                    |
| Ambient temperature   | -40 $^{\circ}$ C--+105 $^{\circ}$ C |                    |
| <b>Dimensions</b>     |                                     |                    |
| Pitch                 | 11.0mm(.433")                       |                    |
| Poles                 | 2P-20P                              |                    |
| <b>Material</b>       |                                     |                    |
| Housing               | PA66,UL94V-0                        |                    |
| Terminal              | Brass,1.0t,Tin Plated               |                    |
| Screws                | Steel,M4 Ni Plated                  |                    |



### HOW TO ORDER :



|              |        |        |        |        |        |        |        |        |        |        |        |        |        |        |
|--------------|--------|--------|--------|--------|--------|--------|--------|--------|--------|--------|--------|--------|--------|--------|
| <b>Poles</b> | 2      | 3      | 4      | 5      | 6      | 7      | 8      | 9      | 10     | 11     | 12     | 13     | 14     | 15     |
| <b>L(mm)</b> | 24.00  | 35.00  | 46.00  | 57.00  | 68.00  | 79.00  | 90.00  | 101.00 | 112.00 | 123.00 | 134.00 | 145.00 | 156.00 | 167.00 |
| <b>S(mm)</b> | 11.00  | 22.00  | 33.00  | 44.00  | 55.00  | 66.00  | 77.00  | 88.00  | 99.00  | 110.00 | 121.00 | 132.00 | 143.00 | 154.00 |
| <b>Poles</b> | 16     | 17     | 18     | 19     | 20     | 21     | 22     | 23     | 24     | 25     | 26     | 27     | 28     |        |
| <b>L(mm)</b> | 178.00 | 189.00 | 200.00 | 211.00 | 222.00 | 233.00 | 244.00 | 255.00 | 266.00 | 277.00 | 288.00 |        |        |        |
| <b>S(mm)</b> | 165.00 | 176.00 | 187.00 | 198.00 | 209.00 | 220.00 | 231.00 | 242.00 | 253.00 | 264.00 | 275.00 |        |        |        |

|  |                                     |
|--|-------------------------------------|
|  | <b>DEGSON ELECTRONICS CO., LTD.</b> |
|  | <b>NAME</b> <b>DG65H-A</b>          |