







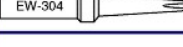

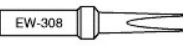










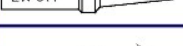



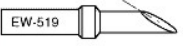
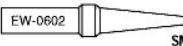


PLATO

Plato Tips to fit Weller® Stations WES50, EC-1002, EC-2002, MC-5001, WCC-100, WTL-1000, DTL-1000, DEC-1000 used with EC1201A, EC1201AFE, EX1201AFE & WCC-101 Soldering Iron Handpiece

Weller®	Plato®	PLATO® TIP & ORDER NUMBER	
ETA	EW-303		$1/16''(1.6)$
ETB	EW-305		$3/32''(2.4)$
ETC	EW-307		$1/8''(3.2)$
ETD	EW-103		$3/16''(4.8)$
---	EW-105		$7/32''(5.6)$
ETH	EW-301		$1/32''(0.8)$
ETJ	EW-302		$1/32''(0.8)$
ETK	EW-304		$3/64''(1.2)$
ETL	EW-306		$5/64''(2.0)$
ETM	EW-308		$1/8''(3.2)$
ETO	EW-404		$1/32''(0.8)$
ETP	EW-403		$1/32''(0.8)$
ETR	EW-101		$1/16''(1.6)$
---	EW-4796		$.012''(0.3)$
ETS	EW-402		$1/64''(0.4)$
ETT	EW-401		$.025''(0.6)$
ETBS	EW-405		$3/32''(2.4)$
ETCS	EW-407		$1/8''(3.2)$
ETDS	EW-409		$13/64''(5.2)$
----	EW-511		$1/32''(0.8)$
ETAA	EW-513		$1/16''(1.6)$
ETBB	EW-515		$3/32''(2.4)$
ETCC	EW-517		$1/8''(3.2)$
ETDD	EW-519		$3/16''(4.8)$
----	EW-0602		$.020''(0.5)$ $.031''(0.8)$
ET-MX	NEW EW-0603		$.035''(0.9)$ $.125''(3.2)$
----	EW-0574		$.195''(5.0)$ $.135''(3.4)$