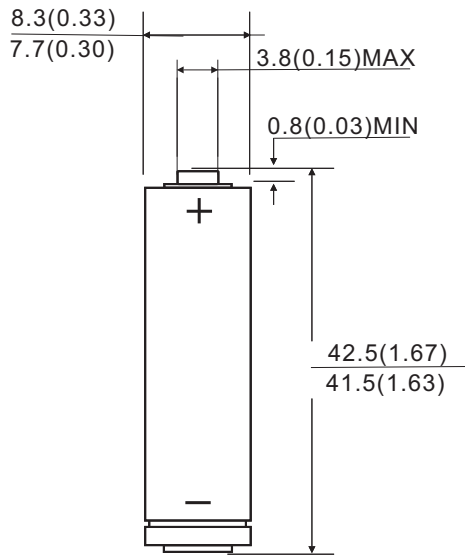


## LR8D425

## Alkaline Battery

### Dimensions



Unit:mm(inch)

### Specifications

<b>Chemical System:</b>	Alkaline (Zn/MnO <sub>2</sub> ) Zinc-Manganese Dioxide
<b>IEC Name:</b>	LR8D425
<b>ANSI/NEDA:</b>	25A(AAAA)
<b>Camelion Model:</b>	LR8D425
<b>Average Weight:</b>	6.8g
<b>Dimension(∅ x H):</b>	8.0 <sup>±0.3</sup> x 42.0 <sup>±0.5</sup> mm 0.31 <sup>±0.01</sup> x 1.65 <sup>±0.02</sup> inch
<b>Terminals:</b>	Flat
<b>Nominal Voltage:</b>	1.5Volts
<b>Capacity:</b>	550mAh (Rated at 10mA to 0.8V)
<b>Operating Temperature:</b>	-18°C-55°C
<b>Storage Temperature:</b>	15°C-25°C
<b>Relative Humidity:</b>	60±15%
<b>Jacket :</b>	Aluminum Foil Label

### Usage Guide



Laser Pointer



Lighting



Bluetooth Earphone

### Cautions

#### Storage

Store the battery in a cool, dry and well-ventilated area.

#### Handling

- (1) Never charge the battery. Do not heat or disposed in fire or water. Do not modify or disassemble the battery. Do not short-circuit positive (+) and negative (-) terminals. Keep away from metal or other conductive materials.
- (2) Keep away from infants. If infant happens to swallow the battery, consult a doctor immediately.
- (3) Do not mix use old batteries with new ones, or mix use batteries of different types or brands
- (4) In case the battery electrolyte happen to come into mouth, gargle well enough and consult a doctor immediately.

#### Notice:

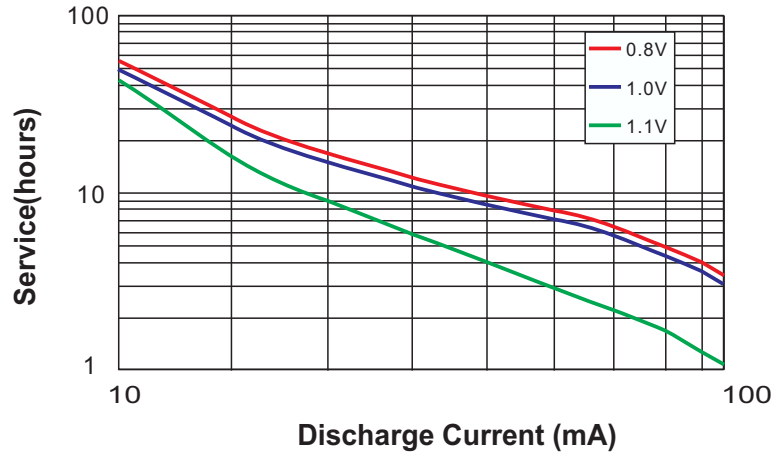
Environmental elements comply with 2006/66/EC requirements. This information is subject to change without prior notice and for reference only. It should not be used as a basis for a product guarantee or warranty. For additional information, please consult your nearest Camelion Sales Office or Distributor or visit our website at: [www.camelionbattery.com](http://www.camelionbattery.com).

**LR8D425**

**Alkaline Battery**

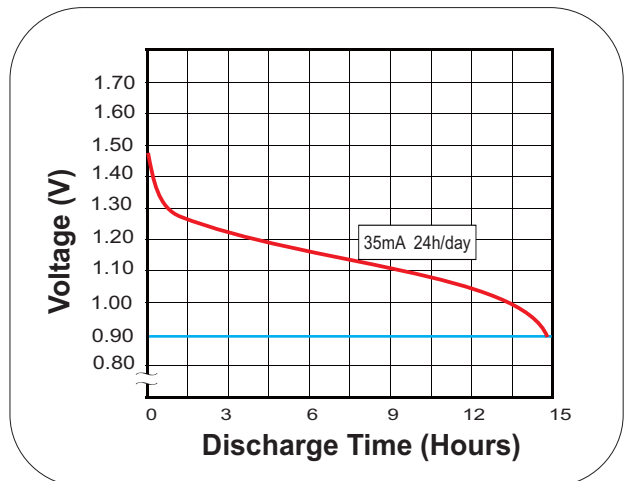
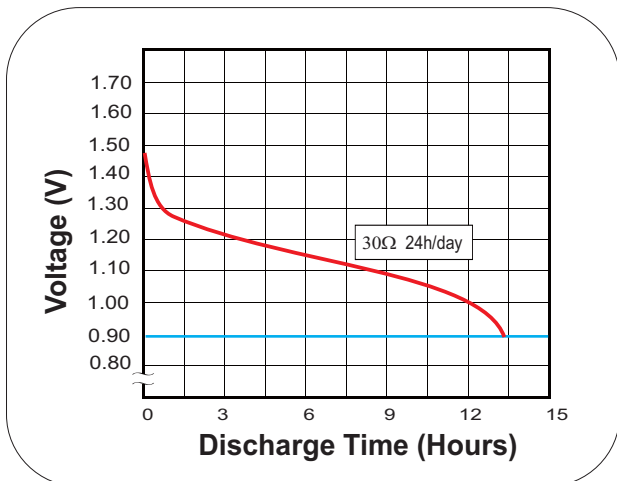
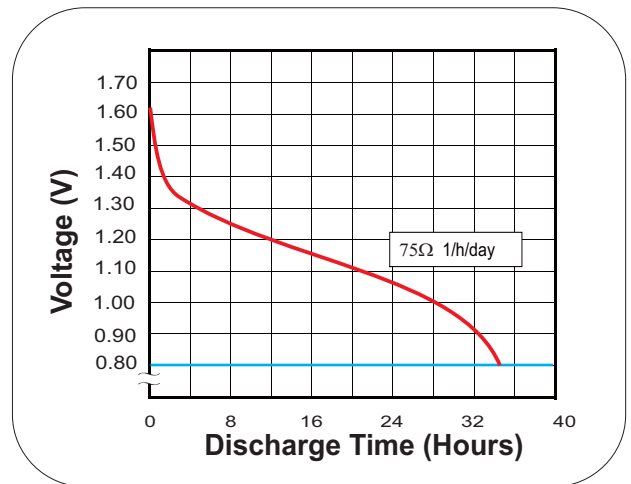
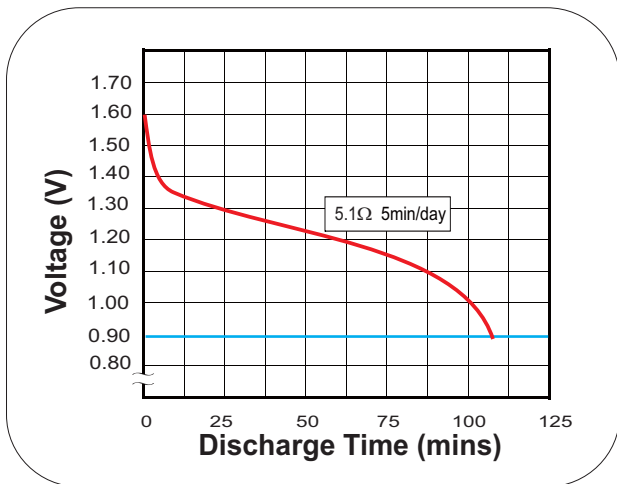
**Constant Current Discharge**

Typical Characteristics at 21°C



**IEC Standard Testing**

Typical Characteristics 21°C



**Notice:**

Environmental elements comply with 2006/66/EC requirements. This information is subject to change without prior notice and for reference only. It should not be used as a basis for a product guarantee or warranty. For additional information, please consult your nearest Camelion Sales Office or Distributor or visit our website at: [www.camelionbattery.com](http://www.camelionbattery.com).