

## MAIN SPECIFICATIONS

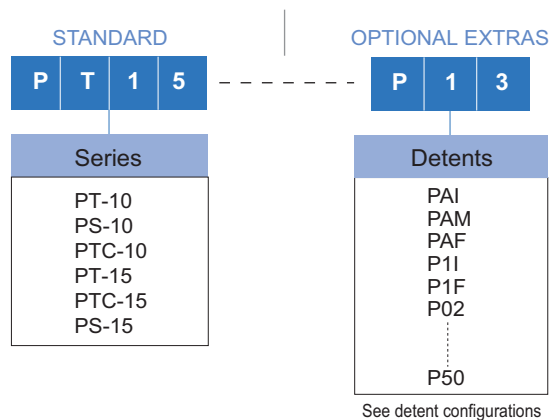
All the PT's with detents series maintain the original specification & features of the chosen potentiometer.

## APPLICATION EXAMPLE



Piher's PT15V12 with up to 38 detents in combination with a tact switch is an ideal replacement for encoders.

## HOW TO ORDER



### NOTES:

- (1) • Detents not available with:
- PT / PTC-10 V 05
  - PT / PTC-15 V 02 & V21
  - PT / PTC-15 V 12 & V22
  - PT / PTC-15 V 18
  - PT-15 V 24

These cases are studied individually.

- (2) • Standard mechanical life is 500 cycles.

- (3) • Long life versions are available under request and have the following characteristics at T<sup>a</sup>:
- PT's with 1 to 3 detents: up to 10k cycles
  - PT's with 4 and more detents: up to 5k cycles

- (4) • Detent torque can vary from 1.2 to 2.5 times the standard potentiometer torque

- (5) • Please consult your nearest Piher supplier if unique non-overlapping values at each detent position or LOG/ALOG tapers are required.

- (6) • Please note that if you want a high number of detents and a different value at each detent position (special taper), the Residual Resistance is  $\leq 7.5\% R_n$

## FEATURES

This innovative PT's with detents family has been specifically developed to allow the integration of otherwise large and expensive external mechanisms into the body of the majority of the 10 & 15 mm. PS/PT/PTC potentiometer series thus allowing a high range of configurations: special tapers, tolerances, linearity, cut track, etc.

This detent design not only adds a "click" sensation of position, but also offers enormous savings in both cost and space for any given application.

Strong and weak detents can be mixed as per customer's request.

## TYPICAL APPLICATIONS

As previously highlighted, this family is indispensable wherever both cost and space saving reductions are important, or where a series of fixed positions along the potentiometer travel are required, eg:

- Replacement for:
  - Existing customer detent mechanisms.
  - Multi-pole switches.
  - 3 or 4-bit absolute encoders (connecting PT to microprocessor analogue input).
- Analogue signal presets.
- Temperature control settings.
- Relay Timers.

PT's with detents also lend themselves perfectly to Industrial and Domestic Power Tool applications where the detents prevent accidental movement of the potentiometer under vibration.

If high torque detents are required please see our Detent Control Mechanism (DCM) series datasheets.

## DETENT CONFIGURATIONS

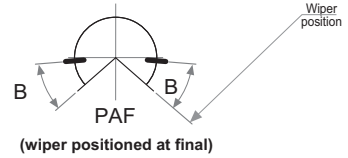
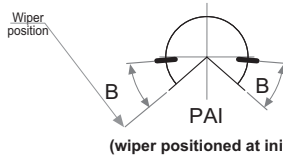
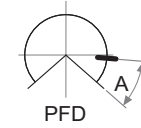
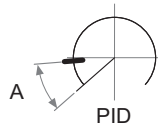
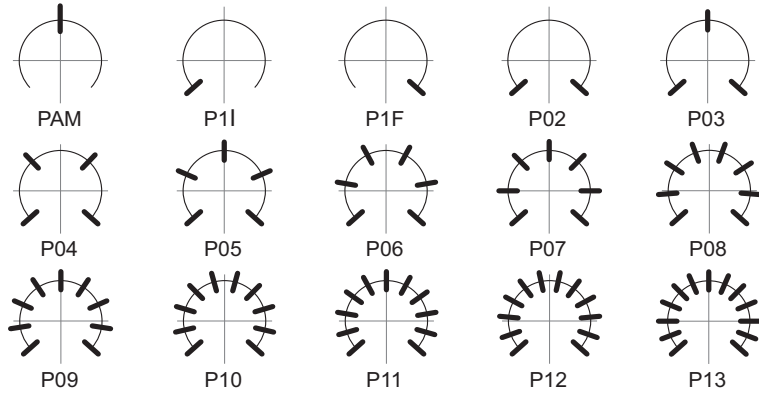
Relative detent positions along the total mechanical travel. Unless otherwise specified the detents are evenly spaced (using the end points as reference)

### Max. number of detents

- PS-10, PT-10, PTC-10 ..... 16
- PS-15, PT-15, PTC-15 ..... 38\*
- PS-360, PT-360, PTC-360.... 50\*

\*For more than 13 detents versions please contact your nearest PIHER distributor

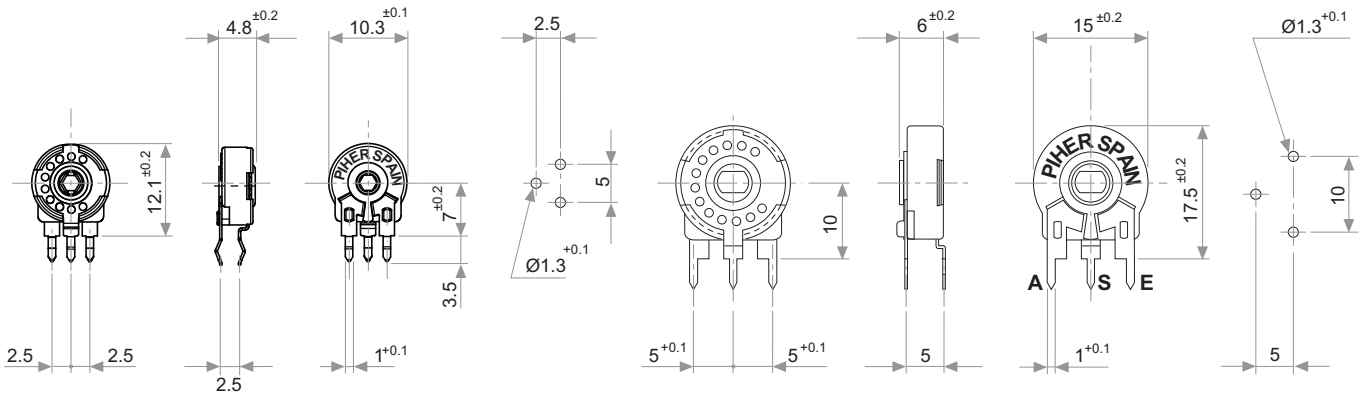
PS/PT/PTC-10: A= 26°  
B= 27.5°  
PS/PT/PTC-15: A= 32.625°  
B= 34.5°



## DETENT DETAILS

PT/PTC-10 ..... P10 ...

PT/PTC-15 ..... P13 ...

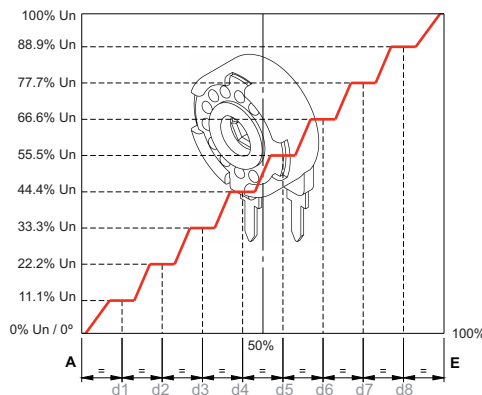
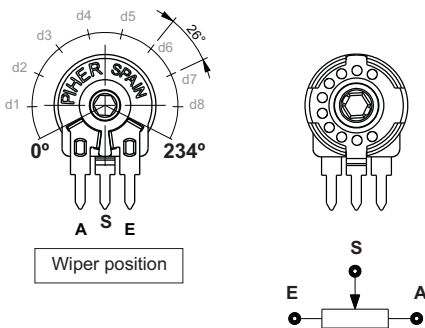


A = Initial S = Wiper E = Final

### PT/PTC-10 with 10 detents and silver zones

application example

Detents can be matched with constant value zones when required.



### PS/PT/PTC-15 WITH 27 DETENTS



### PS/PT/PTC-15 WITH 34 DETENTS



NOTE = Please note relative terminal positions when ordering non linear tapers. Special configurations to be studied upon request.

### Disclaimer

The product information in this catalogue is for reference purposes. Please consult for the most up to date and accurate design information. Piher Sensors & Controls S.A., its affiliates, agents, and employees, and all persons acting on its or their behalf (collectively, "Piher"), disclaim any and all liability for any errors, inaccuracies or incompleteness contained herein or in any other disclosure relating to any product described herein. Piher disclaims any and all liability arising out of the use or application of any product described herein or of any information provided herein to the maximum extent permitted by law. The product specifications do not expand or otherwise modify Piher's terms and conditions of sale, including but not limited to the warranty expressed therein, which apply to these products. No licence, express or implied, by estoppel or otherwise, to any intellectual property rights is granted by this document or by any conduct of Piher. The products shown herein are not designed for use in medical, life-saving, or life-sustaining applications unless otherwise expressly indicated. Customers using or selling Piher products not expressly indicated for use in such applications do so entirely at their own risk and agree to fully indemnify Piher for any damages arising or resulting from such use or sale. Please contact authorised Piher personnel to obtain written terms and conditions regarding products designed for such applications. Product names and markings noted herein may be trademarks of their respective owners.

Information contained in and/or attached to this catalogue may be subject to export control regulations of the European Community, USA, or other countries. Each recipient of this document is responsible to ensure that usage and/or transfer of any information contained in this document complies with all relevant export control regulations. If you are in any doubt about the export control restrictions that apply to this information, please contact the sender immediately. For any Piher International Corp. Exports, Note: All products / technologies are EAR99 Classified commodities. Exports from the United States are in accordance with the Export Administration Regulations. Diversion contrary to US law is prohibited.

