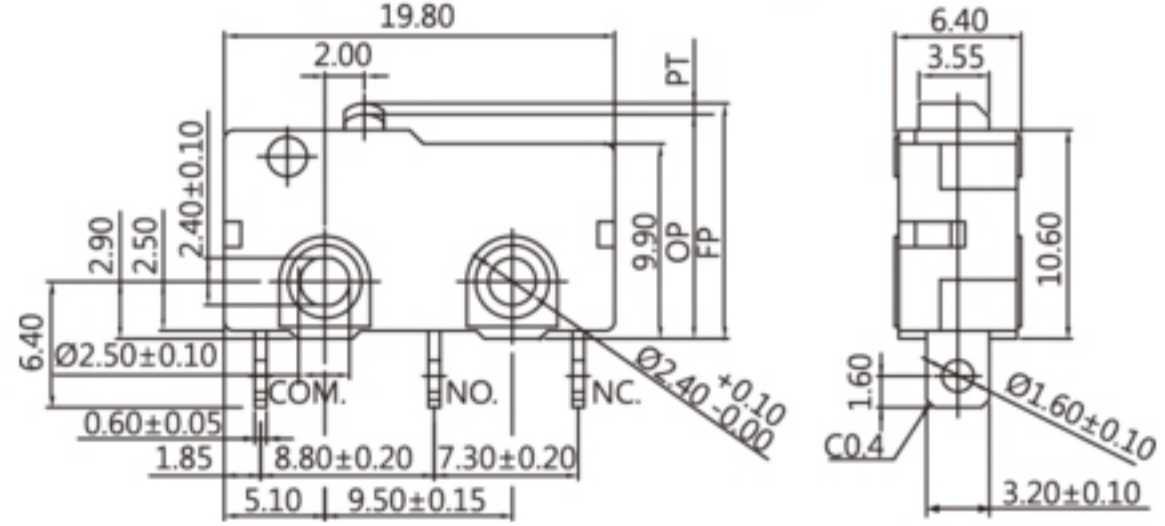


DIMENSIONS

Unless otherwise specified, a tolerance of ±0.4mm applies to all dimensions.

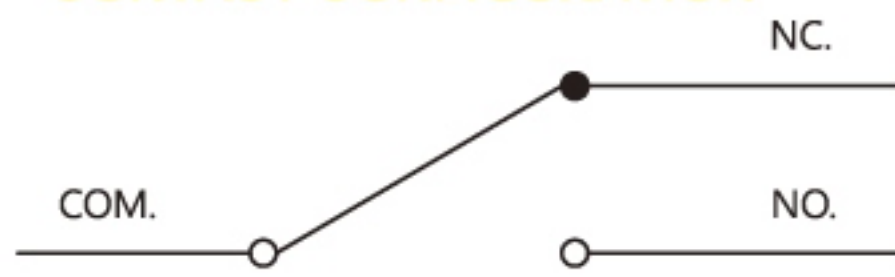


SM Series

SPECIFICATIONS

- Operating frequency(mechanical):**
120 Operation / mim
- Operating frequency(electrical):**
10~30 Operation / mim
- Contact resistance:**
300m Ω(max)
- Insulation resistance(at 500 VDC)**
100M Ω(Min)
- Service life(mechanical)**
Min. 10,000,000 Operations
- Service life(electrical)**
5A-Min. 10,000 Operations

CONTACT CONFIGURATION



OPERATING FORCE

| MODEL | Rating | D | L | S | H | Q | T |
|-------|--------|---|---|---|---|---|---|
| SM | 0.1A | * | * | * | * | * | * |
| | 5A | | | * | * | * | * |

NOTE : The Symbol " * " to represent the result is accepted

RATING

0.1A/5A 125/250VAC ; 0.1A/5A 30VDC

APPLICATION

- Telephone
- Air Conditioner
- Computer
- Humidifier
- Alarm
- Time Recorder
- Mixer
- Chopper
- Solder Gun
- Neon Phone
- Fax Machine
- Joystick
- Water Pump
- Gas Detector
- Pencil Sharpener
- Money Sorter
- Food Processor
- Electric Knife
- Toy Car
- Juicer
- Electric Steak Pan

ORDER INFORMATION

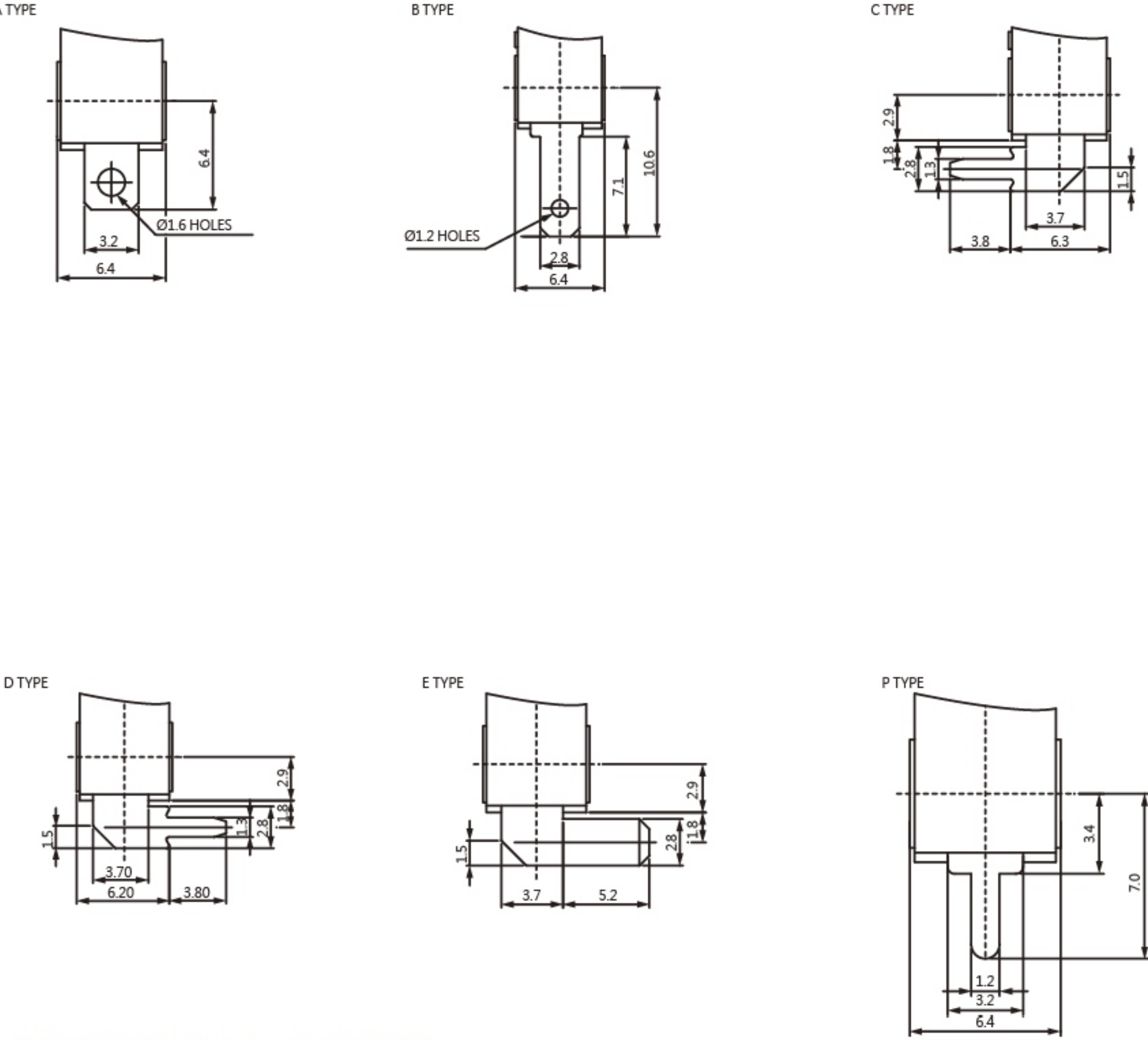
SM - 05 S - 03 P 0 - Z

| SERIES PREFIX | RATING CURRENT | OPERATING FORCE | ACTUATOR TYPE | TERMINAL TYPE | CIRCUIT ARRANGEMENT | ROHS CODE |
|---------------|--------------------|-----------------|---------------|---------------|---------------------|-----------|
| P1 | 0.1A 125/250VAC | T MAX HEAVIER | 00 | A | 0 S.P.D.T. | |
| 05 | 5A 125/250VAC | Q HEAVIER | 01 | B | 1 S.P.S.T.NO | |
| | | H HEAVY | 02 | C | 2 S.P.S.T.NC | |
| | | S STANDARD | 03 | D | | |
| | | L LIGHT | 04 | E | | |
| | | D SLIGHT | : | P | | |

#NOTE

| ITEM | RATING CURRENT | OPERATING FORCE |
|------|----------------|-----------------|
| 1 | Code:P1 | T,Q,H,S,L,D |
| 2 | Code:05 | T,Q,H,S |

TERMINAL TYPES



OPERATING CHARACTERISTICS

| SWITCH TYPE | PART SUFFIX | OF Max. (gf) | OP (mm) | PT Max. (mm) | OT Min. (mm) | MD Max. (mm) | FP Max. (mm) | RF Min. (gf) |
|---------------|-------------|--------------|----------|--------------|--------------|--------------|--------------|--------------|
| SM-□□□-00□□-Z | H | 249 | 11.4±0.3 | 1.1 | 0.4 | 0.2 | 12.2 | 50 |
| | S | 146 | | | | | | 35 |
| | L | 104 | | | | | | 20 |
| SM-□□□-01□□-Z | H | 66 | 11.8±0.8 | 3.6 | 0.6 | 0.8 | 14.6 | 9 |
| | S | 40 | | | | | | 6 |
| | L | 30 | | | | | | 3 |
| SM-□□□-02□□-Z | H | 58 | 11.8±0.9 | 4.0 | 0.6 | 0.8 | 14.9 | 9 |
| | S | 36 | | | | | | 6 |
| | L | 25 | | | | | | 6 |
| SM-□□□-03□□-Z | H | 45 | 11.8±1.5 | 6.1 | 0.8 | 1.5 | 16.4 | 6 |
| | S | 28 | | | | | | 4 |
| | L | 20 | | | | | | 5 |
| SM-□□□-04□□-Z | H | 56 | 13.7±1.0 | 4.6 | 0.8 | 0.8 | 17.3 | 13 |
| | S | 34 | | | | | | 8 |
| | L | 25 | | | | | | 5 |
| SM-□□□-05□□-Z | H | 60 | 17.5±0.8 | 3.8 | 0.8 | 0.8 | 20.5 | 15 |
| | S | 35 | | | | | | 8 |
| | L | 25 | | | | | | 6 |
| SM-□□□-06□□-Z | H | 48 | 19.0±1.5 | 5.7 | 1.0 | 1.0 | 23.2 | 10 |
| | S | 28 | | | | | | 6 |
| | L | 20 | | | | | | 4 |
| SM-□□□-07□□-Z | H | 30 | 11.8±2.0 | 8.6 | 1.5 | 1.8 | 18.4 | 7 |
| | S | 20 | | | | | | 4 |
| | L | 15 | | | | | | 2 |
| SM-□□□-08□□-Z | H | 30 | -2.3±3.0 | 6.0 | 1.0 | 1.9 | 5.4 | 3 |
| | S | 20 | | | | | | 4 |
| | L | 15 | | | | | | 2 |
| SM-□□□-09□□-Z | H | 18 | 11.8±3.0 | 13.3 | 1.0 | 2.9 | 22.1 | 4 |
| | S | 12 | | | | | | 2.5 |
| | L | 8 | | | | | | 1.5 |

snap action microswitches(snap action microswitch),Sealed Switches,(Sealed Switch),Basic Switches(Basic Switch),Snap-acting switches(Snap-acting switch), WaterProof micro switches(WaterProof micro switch),Sealed Basic Switches(Sealed Basic Switch),microswitches(microswitch),micro switches(micro switch), Interruptores básicos,Interruptores de acción básicos ,Micro-interruptor a prueba de agua,Schnappschalter,zip switch,zip microswitch