

Finger-shaped

Attachable

Extruded  
with solderpins

Extruded  
standard length

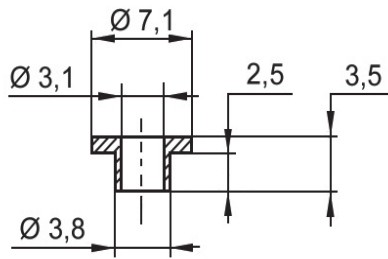
Die-cast

Profiles

Mounting  
accessories

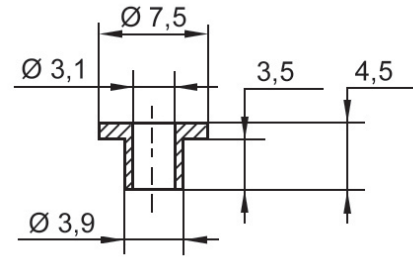
Distance spacers

Fans



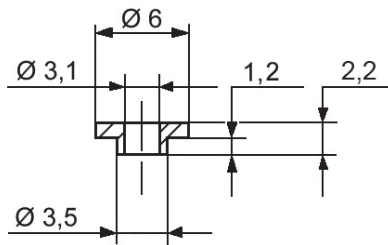
Bestellcode  
Ordercode

**V 5357**



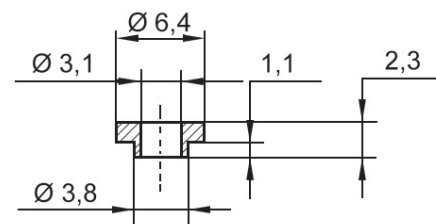
Bestellcode  
Ordercode

**V 5358**



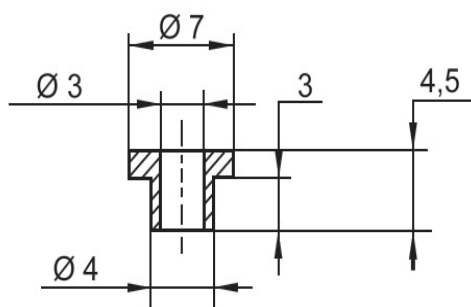
Bestellcode  
Ordercode

**V 5359**



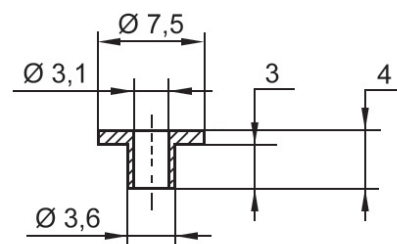
Bestellcode  
Ordercode

**V 5731**



Bestellcode  
Ordercode

**V 5815**



Bestellcode  
Ordercode

**V 5816**

Material: SR 25 Durchschlagsfestigkeit: 380 kV/mm Wärmebeständigkeit: 200°C Zugfestigkeit: 80 N/mm  
Material: SR 25 Dielectric strength: 380 kV/mm Heat resistance: 200°C Tensile strength: 80 N/mm